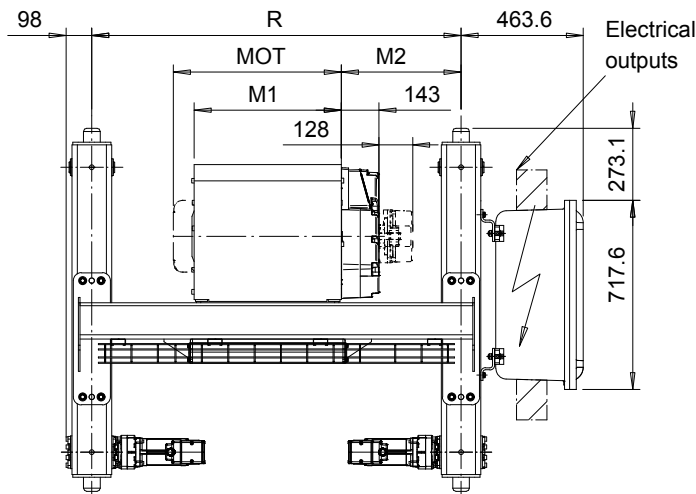
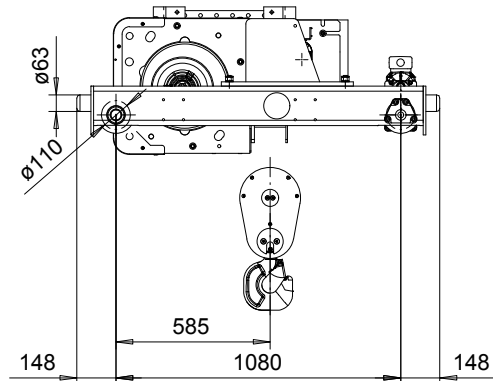
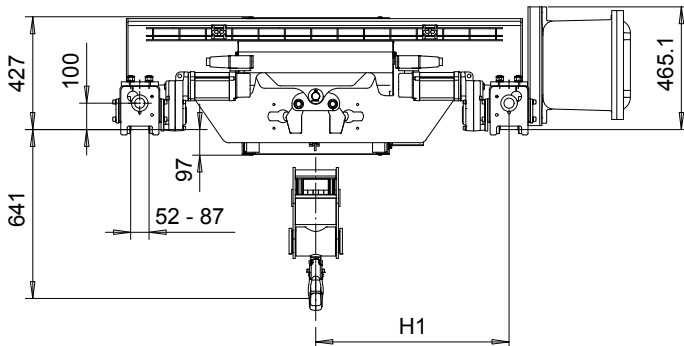


# R&M SPACEMASTER EX

DOUBLE GIRDER, 2 PART DOUBLE  
SX5 EX 022...D0



Motor	P5	P6
MOT (mm)	578	578
Weight (kg)	58	85

Load (kg)	Class Fem/ISO
4000	3m/M6
5000	2m/M5

HOL (m)	Length code	H1 (mm)	M1 (mm)	M2 (mm)	min R (mm)	Approx. Weight (kg)
8.5	D	733	558	454	1400	760
13	E	733	678	394	1400	780
18	F	883	828	469	1700	830
25	G	883	1018	374	1700	860
33.5	H	1033	1268	399	2000	940
46	J	1233	1618	424	2400	1025

min R is minimum rail gauge when service platform or second brake is supplied.  
Standard rail gauges are 1400, 1700, 2000 and 2400  
The brake is mounted to the gearcase on length H and J hoists.