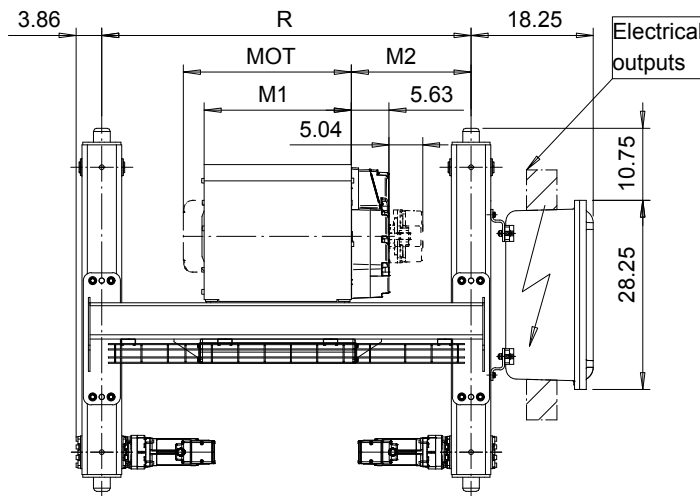
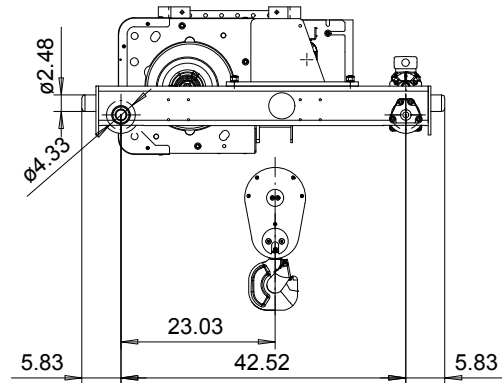
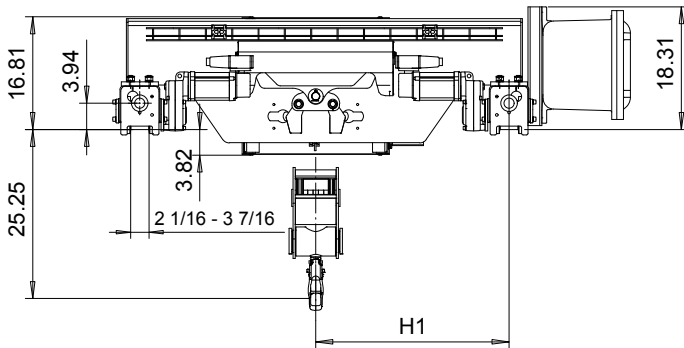


R&M SPACEMASTER EX

DOUBLE GIRDER, 2 PART DOUBLE SX5 EX 022...D0



Motor	P5	P6
MOT (in)	22.76	22.76
Weight (lb)	128	187

Load (TON)	Class ASME
4	H4+
5	H4

HOL (ft)	Length code	H1 (inch)	M1 (inch)	M2 (inch)	R (inch)	Approx. Weight (lb)
27'-10"	D	28.86	21.97	17.87	55.12	1675
42'-7"	E	28.86	26.69	15.51	55.12	1719
59'-0"	F	34.76	32.6	18.46	66.93	1829
82'-0"	G	34.76	40.08	14.72	66.93	1896
109'-10"	H	40.67	49.92	15.71	78.74	2072
150'-11"	J	48.54	63.7	16.69	94.49	2259

min R is minimum rail gauge when service platform or second brake is supplied.
Standard rail gauges are 55 1/8", 66 15/16", 78 3/4", and 94 1/2"
The brake is mounted to the gearcase on length H and J hoists.