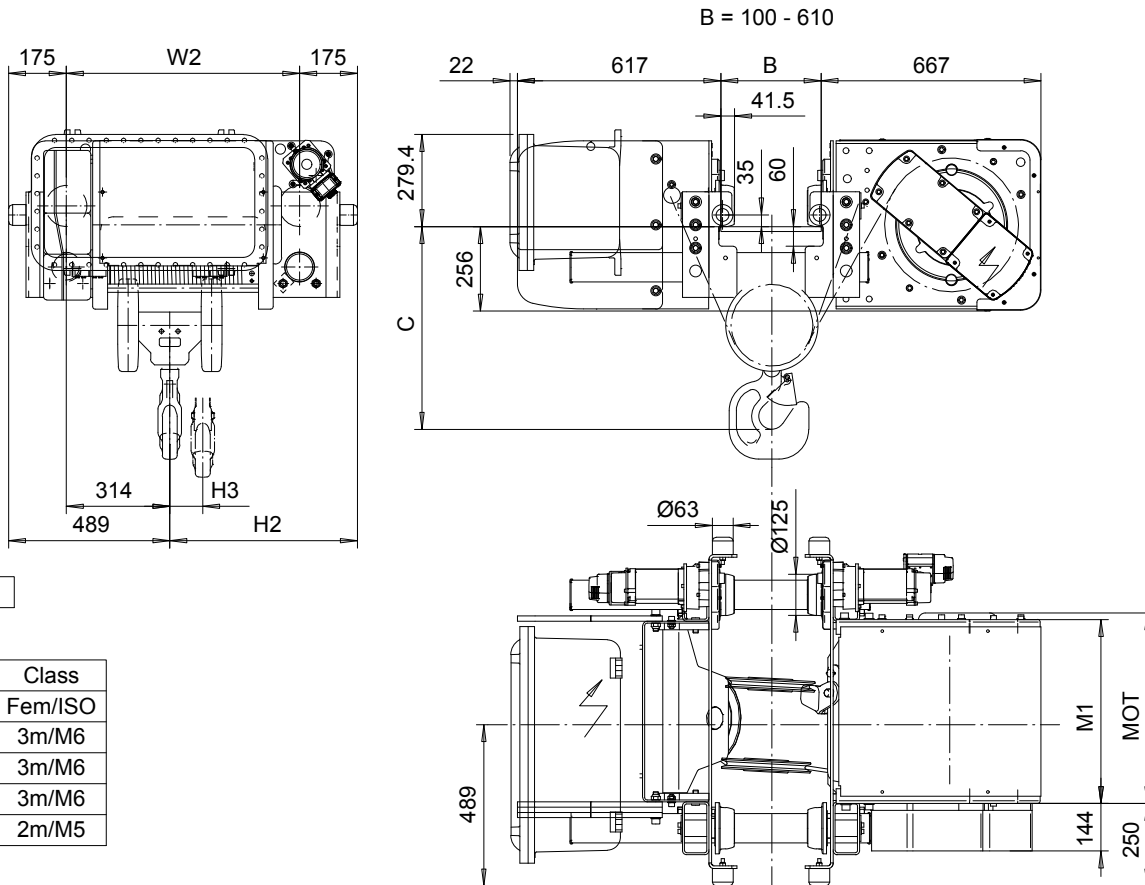


R&M SPACEMASTER EX

LOW HEADROOM, 4 PART SINGLE

SX5 EX 041...L0



SI-60Hz

Load (kg)	Class Fem/ISO
5000	3m/M6
6300	3m/M6
8000	3m/M6
10000	2m/M5

Motor	P5	P6
MOT (mm)	578	578
Weight (kg)	58	85

HEADROOM TABLE - C DIMENSION	
Flange Width, B (mm)	Standard (mm)
100 - 199	610
200 - 289	575
290 - 430	530
441 - 530	595
531 - 610	650

Headroom is related to the flange width

HOL (m)	Length code	M1 (mm)	H2 (mm)	H3 (mm)	W2 (mm)	Approx Weight (kg)
9	D	558	647	88	708	710
12	E	678	767	118	828	760
16	F	828	946	156	978	810