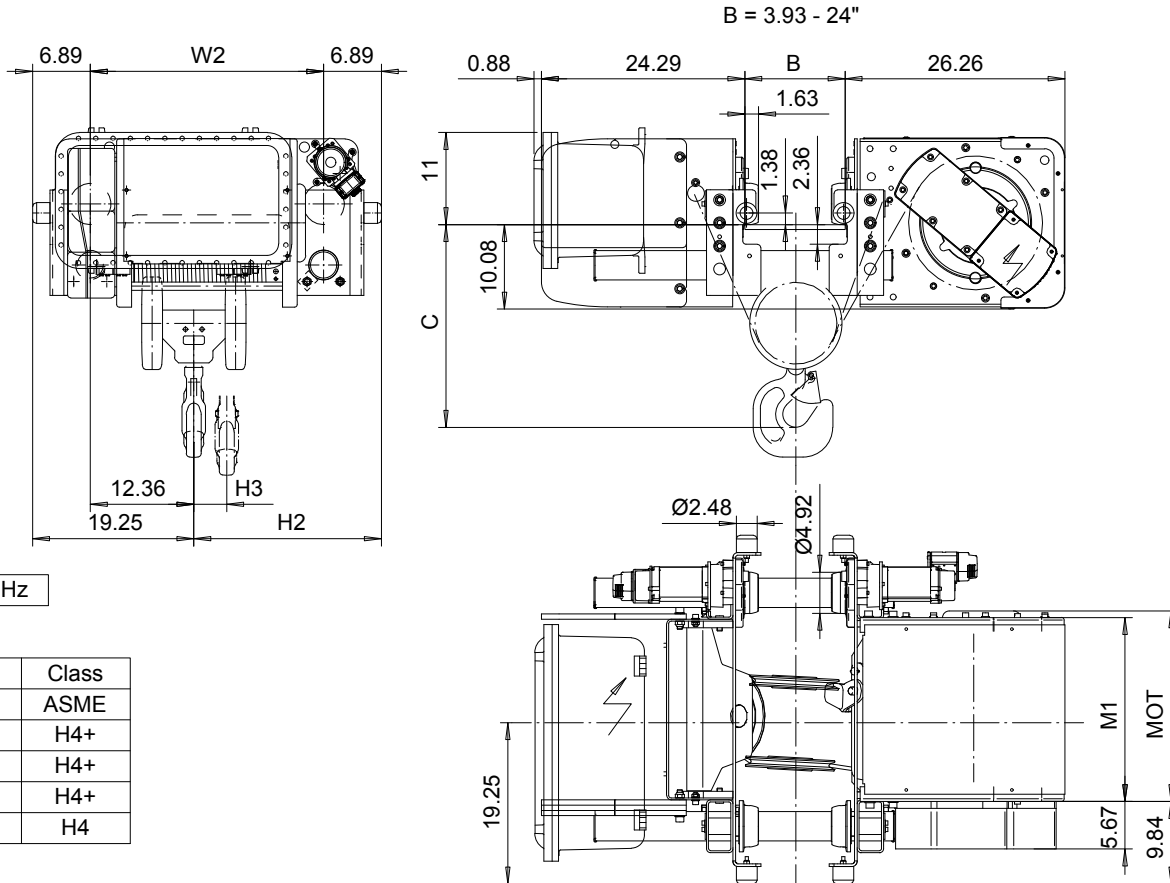


# R&M SPACEMASTER EX

LOW HEADROOM, 4 PART SINGLE  
SX5 EX 041...L0



US-60Hz

Load (ton)	Class ASME
5	H4+
6	H4+
7 1/2	H4+
10	H4

Motor	P5	P6
MOT (in)	22.76	22.76
Weight (lb)	128	187

HEADROOM TABLE - C DIMENSION	
Flange Width, B (in)	Headroom, C (in)
3.93 - 7.83	24
7.87 - 11.38	22.6
11.43 - 16.93	20.9
16.96 - 20.87	23.5
20.91 - 24	25.6

HOL (ft)	Length code	M1 (inch)	H2 (inch)	H3 (inch)	W2 (inch)	Approx Weight (lb)
26'-6"	D	21.97	25.47	6.92	27.87	1565
39'-4"	E	26.69	30.19	9.25	32.59	1675
52'-5"	F	32.6	37.25	12.16	38.50	1785