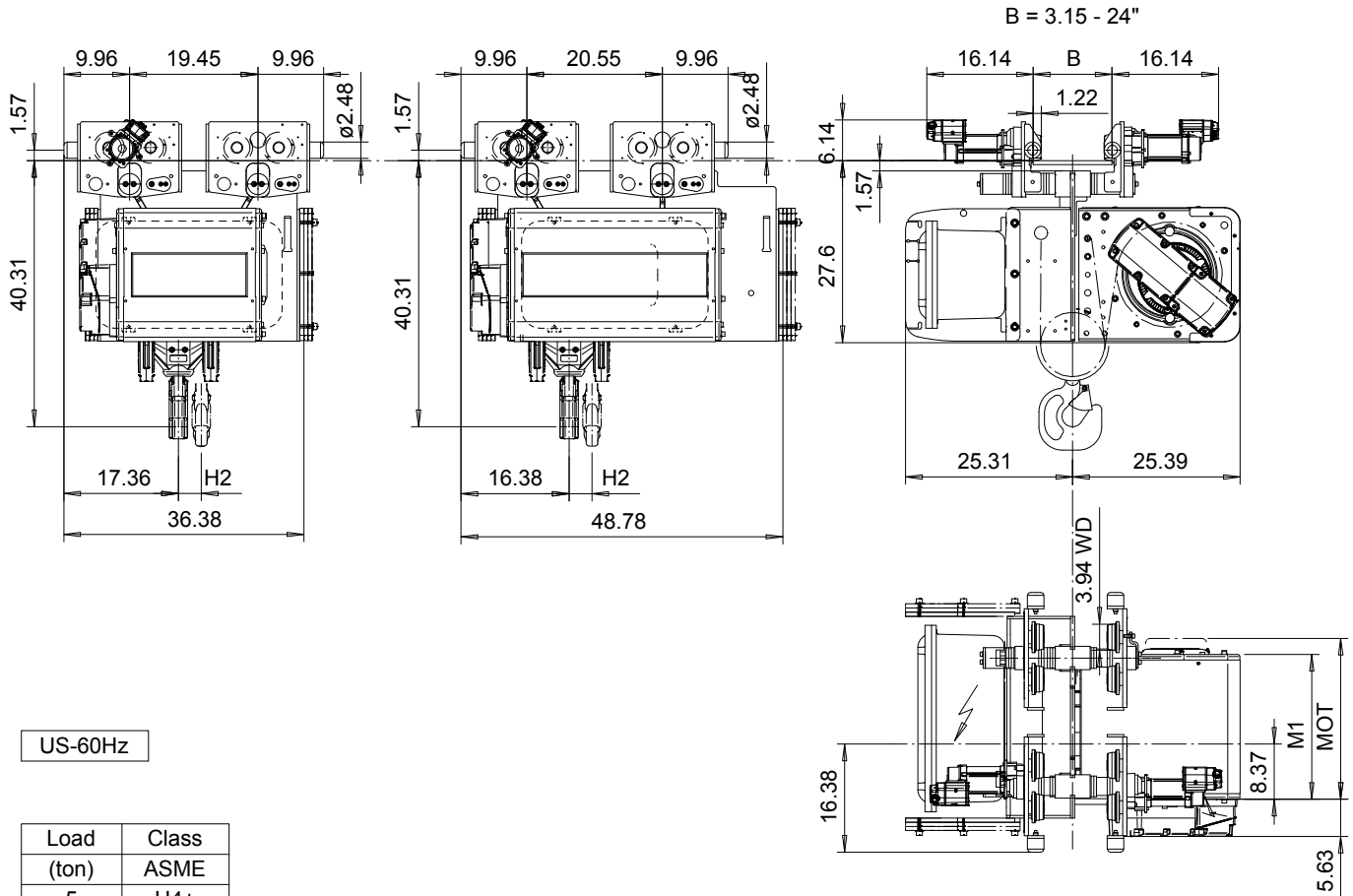


R&M SPACEMASTER EX

NORMAL HEADROOM, 4 PART SINGLE
SX5 EX 041...N0



US-60Hz

Load (ton)	Class ASME
5	H4+
6	H4+
7 1/2	H4+
10	H4

Motor	P5	P6
MOT (in)	22.76	22.76
Weight (lb)	128	187

HOL (ft)	Length code	M1 (inch)	H2 (inch)	Approx Weight (lb)
29'-6"	D	21.97	3.46	1962
39'-4"	E	26.69	4.64	2094
52'-5"	F	32.6	6.14	2270
65'-7"	G	45.55	8.03	2403