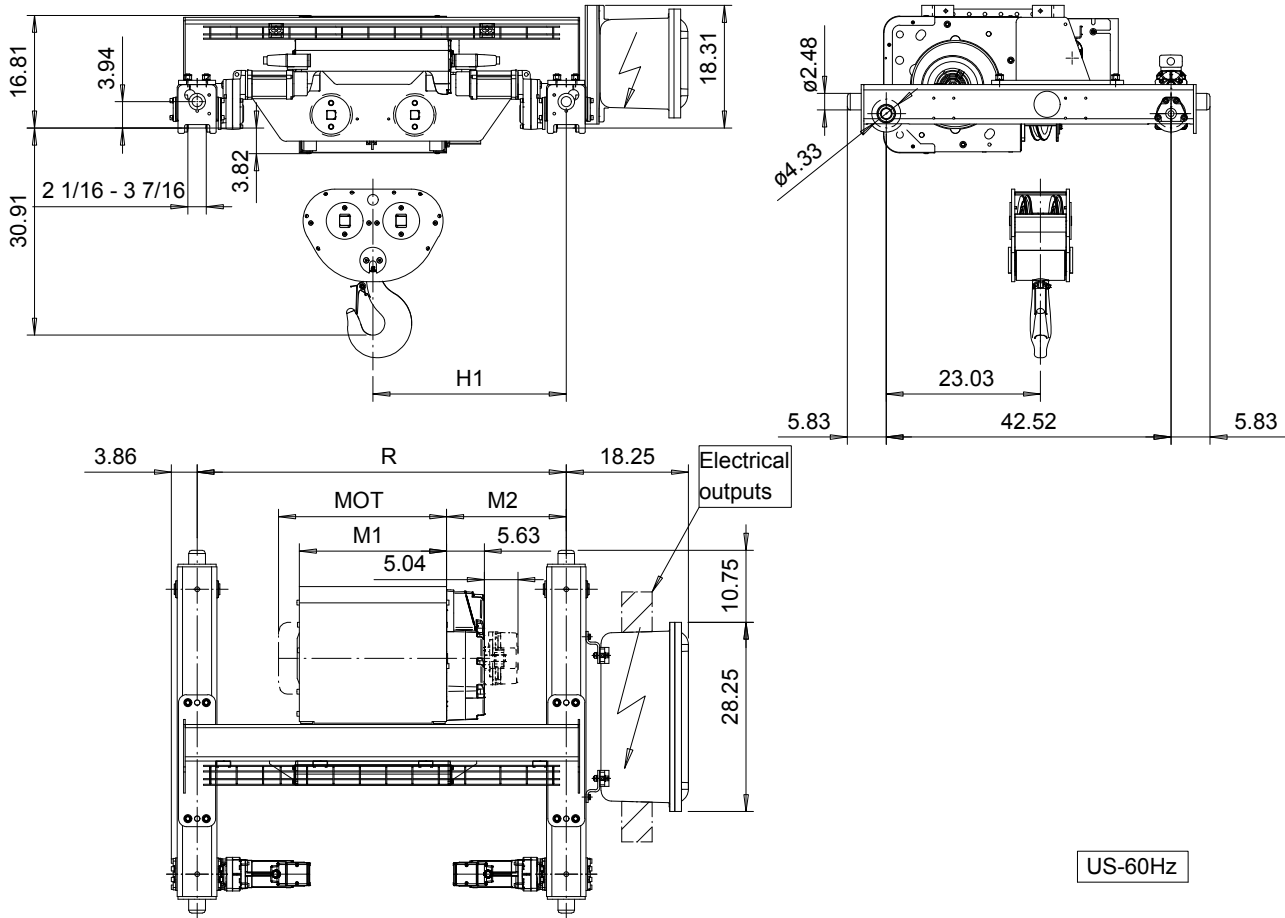


R&M SPACEMASTER EX

DOUBLE GIRDER, 4 PART DOUBLE
SX5 EX 042...D0



Motor	P5	P6
MOT (in)	22.76	22.76
Weight (lb)	128	187

Load (TON)	Class ASME
6	H4+
7 1/2	H4+
10	H4

HOL (ft)	Length code	H1 (inch)	M1 (inch)	M2 (inch)	R (inch)	Approx. Weight (lb)
13'-1"	D	28.86	21.97	17.87	55.12	1818
21'-3"	E	28.86	26.69	15.51	55.12	1862
29'-6"	F	34.76	32.6	18.46	66.93	1973
41'-0"	G	34.76	40.08	14.72	66.93	2039
54'-1"	H	40.67	49.92	15.71	78.74	2204
75'-5"	J	48.54	63.7	16.69	94.49	2403

min R is minimum rail gauge when service platform or second brake is supplied.

Standard rail gauges are 55 1/8", 66 15/16", 78 3/4" and 94 1/2"

The brake is mounted to the gearcase on length H and J hoists.

R&M reserves the right to alter or amend the above information without notice

QCEXUS24M RM
Class 1 Div.2
EX-CSA-C1-D2