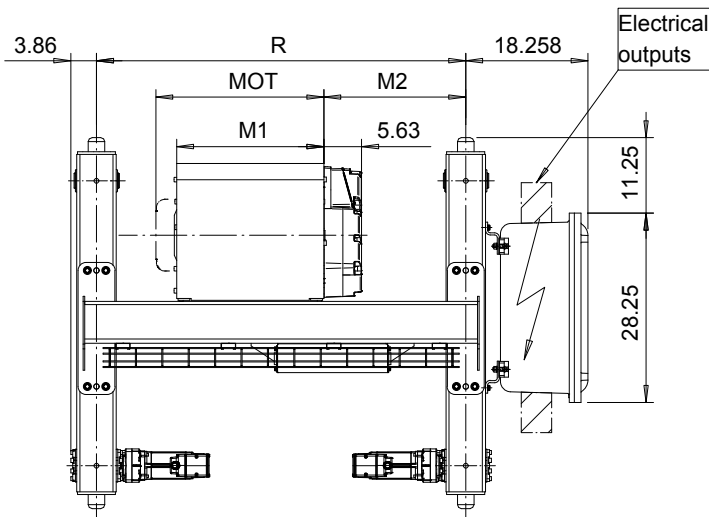
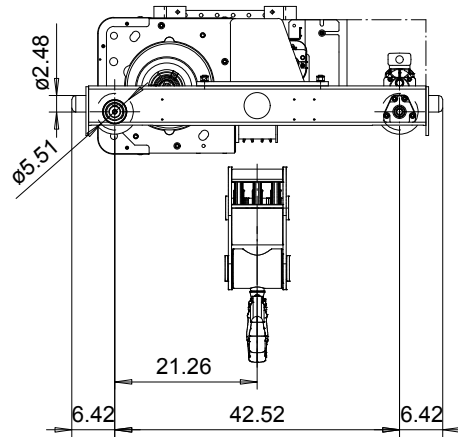
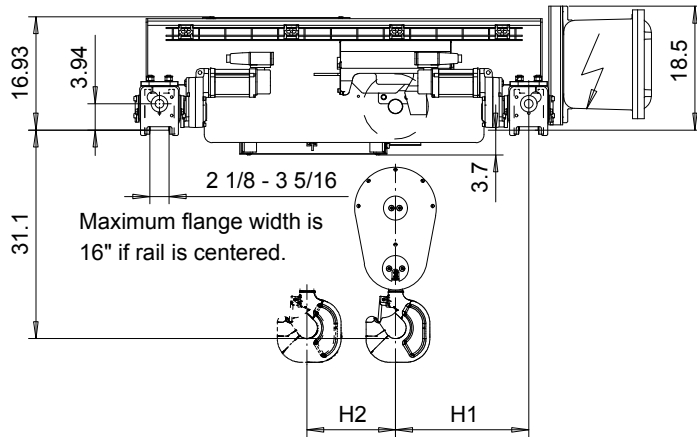


R&M SPACEMASTER EX

DOUBLE GIRDER, 6 PART SINGLE SX5 EX 061...D0



US-60Hz

Motor	P5	P6
MOT (in)	22.76	22.76
Weight (lb)	128	187

Load (TON)	Class ASME
12	H4+
15	H4

HOL	Length code	M1 (inch)	M2 (inch)	R (inch)	H1 (inch)	H2 (inch)	Approx. Weight (lb)
19'-8"	D	21.97	21.18	55.12	19.88	2.09	1896
26'-2"	E	26.69	29.84	66.93	28.54	3.07	1994
32'-9"	F	32.6	35.94	78.74	34.65	3.86	2094
42'-7"	G	40.08	44.12	94.49	42.19	5.2	2237

min R is minimum rail gauge when service platform or second brake is supplied.
Standard rail gauges are 55 1/8", 66 15/16", 78 3/4", and 94 1/2"