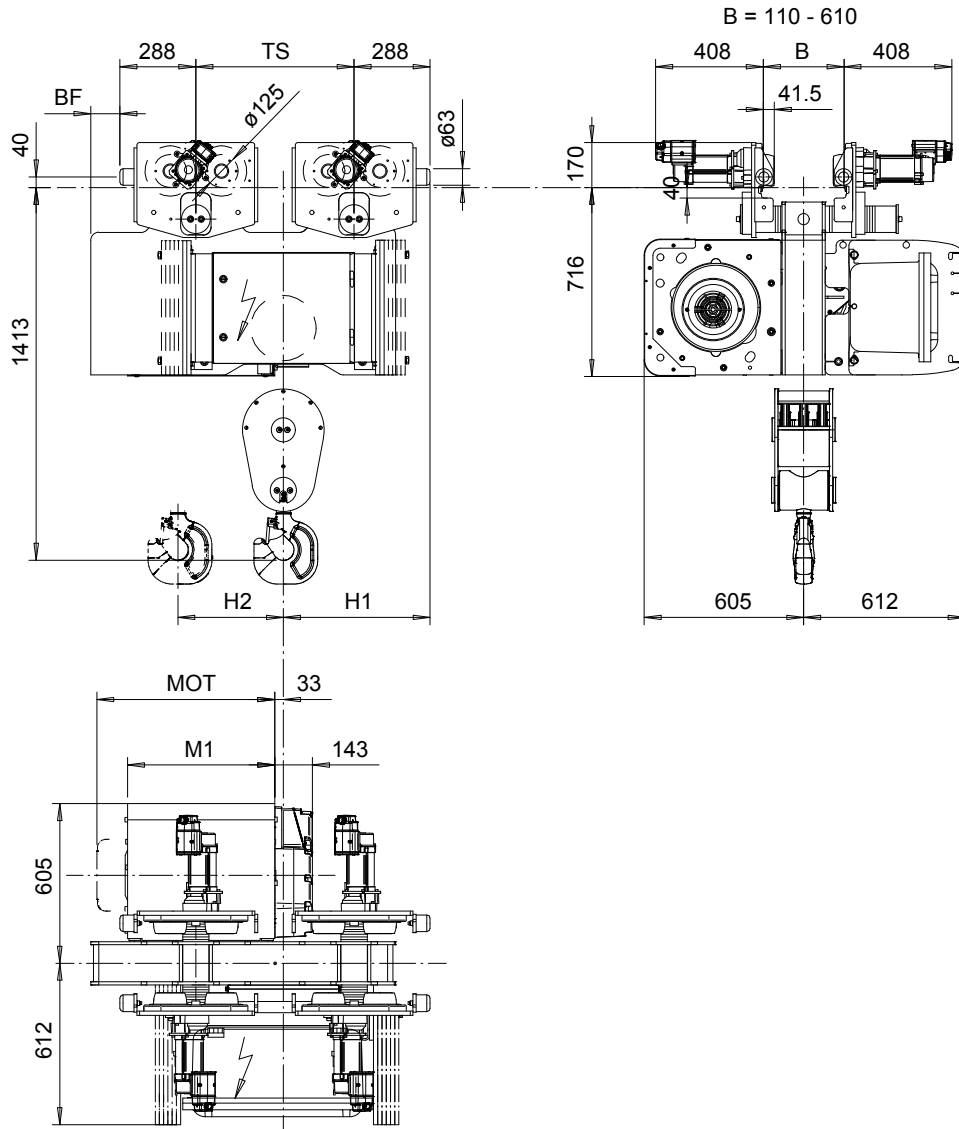


# R&M SPACEMASTER *EX*

NORMAL HEADROOM, 6 PART SINGLE  
SX5 EX 061...N0



SI-60Hz

Motor	P5	P6
MOT (mm)	578	578
Weight (kg)	58	85

Load (kg)	Class Fem/ISO
12000	3m/M6
15000	2m/M5

HOL (m)	Length code	M1 (mm)	BF (mm)	TS (mm)	H1 (mm)	H2 (mm)	Approx. Weight (kg)
6	D	558	110	600	556	53	1130
8	E	678	110	600	556	78	1150
10	F	828	370	720	596	98	1240
13	G	1018	370	720	596	132	1295