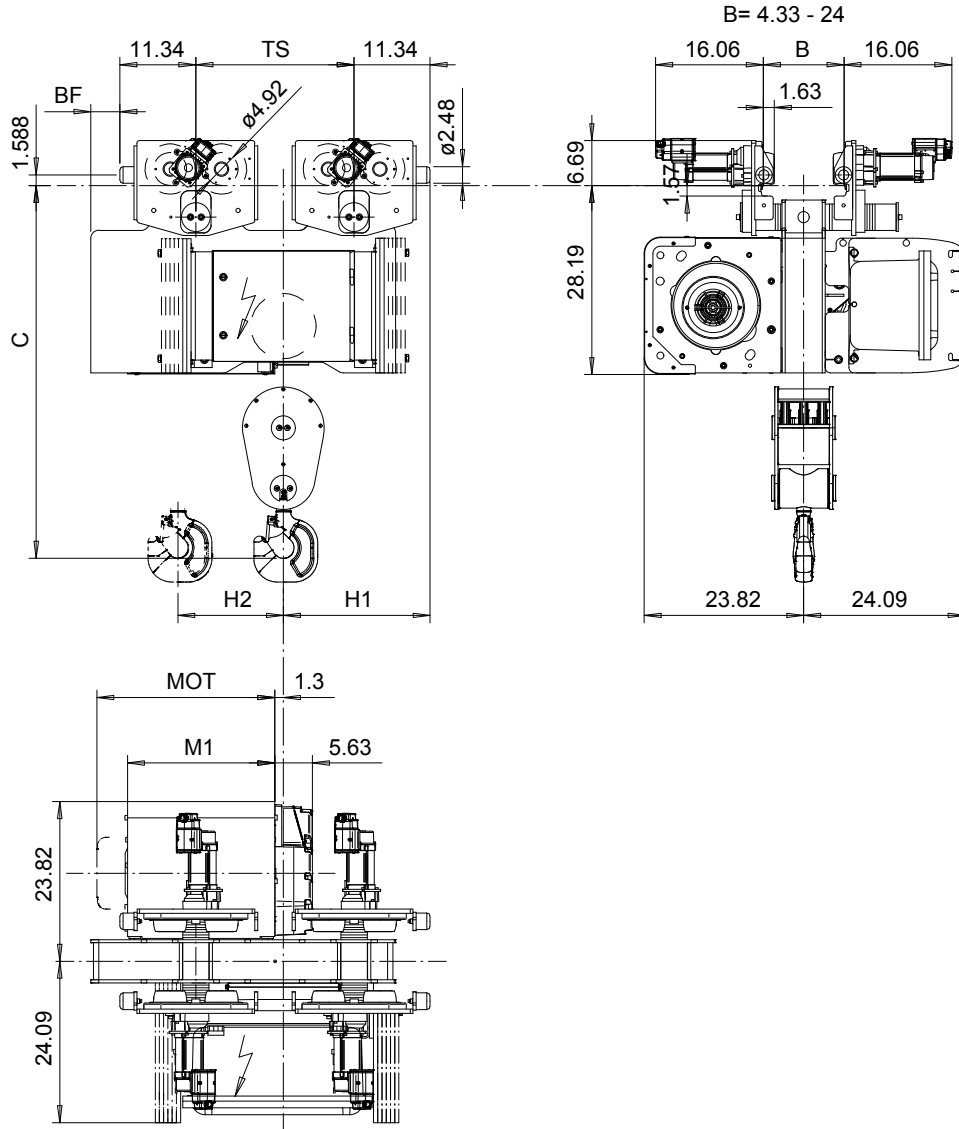


# R&M SPACEMASTER EX

## NORMAL HEADROOM, 6 PART SINGLE SX5 EX 061...N0



US-60Hz

Motor	P5	P6
MOT (in)	22.76	22.76
Weight (lb)	128	187

Load (TON)	Class ASME
12	H4+
15	H4

HOL	Length code	M1 (inch)	BF (inch)	TS (inch)	H1 (inch)	H2 (inch)	Approx. Weight (lb)
19'-8"	D	21.97	4.33	23.62	21.89	2.09	2491
26'-2"	E	26.69	4.33	23.62	21.89	3.07	2535
32'-9"	F	32.6	14.57	28.35	23.46	3.86	2733
42'-7"	G	40.08	14.57	28.35	23.46	5.2	2855