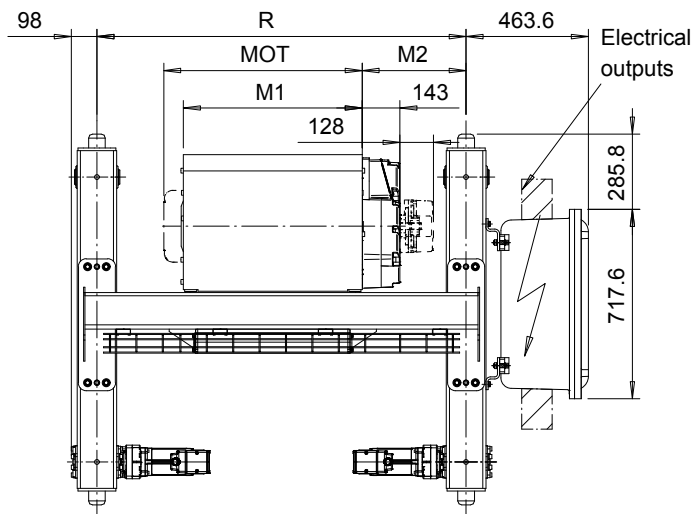
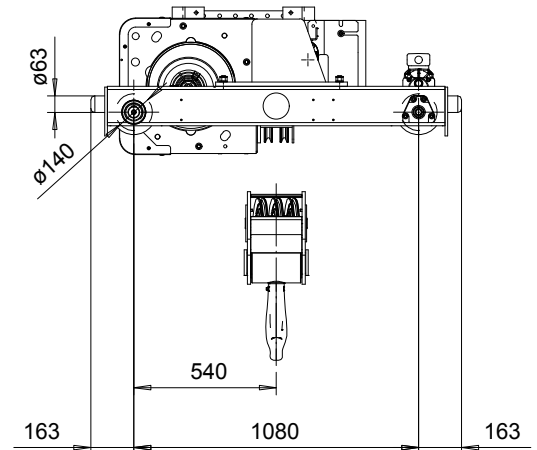
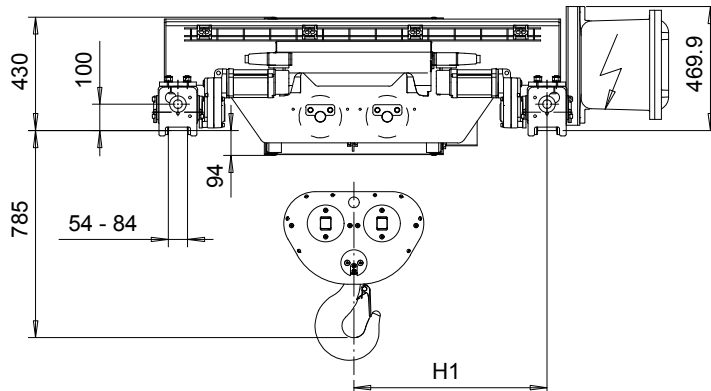


R&M SPACEMASTER EX

DOUBLE GIRDER, 6 PART DOUBLE
SX5 EX 062...D0



SI-60Hz

Motor	P5	P6
MOT (mm)	578	578
Weight (kg)	58	85

Load (kg)	Class Fem/ISO
12000	3m/M6
15000	2m/M5

HOL (m)	Length code	H1 (mm)	M1 (mm)	M2 (mm)	min R (mm)	Approx. Weight (kg)
4	E	733	678	394	1400	880
6	F	883	828	469	1700	925
8	G	883	1018	374	1700	955
11	H	1033	1268	399	2000	1035
15	J	1233	1618	424	2400	1120

min R is minimum rail gauge when service platform or second brake is supplied.

Standard rail gauges are 1400, 1700, 2000 and 2400

The brake is mounted to the gearcase on length H and J hoists.