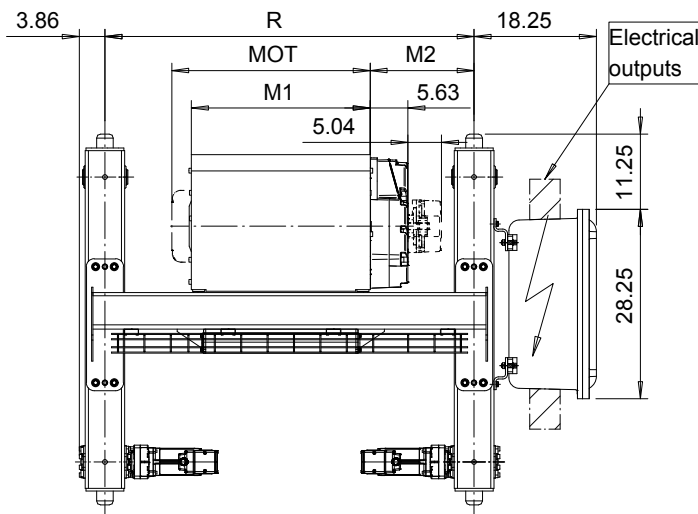
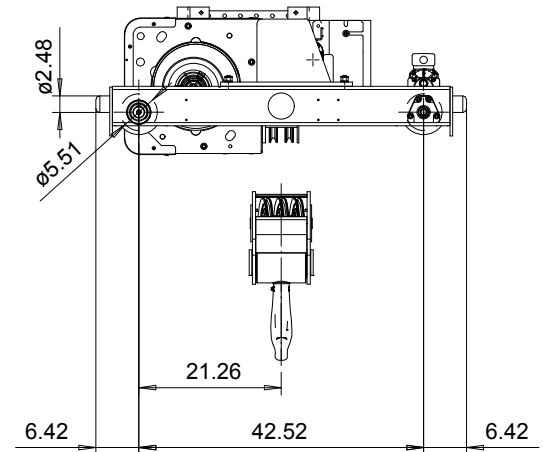
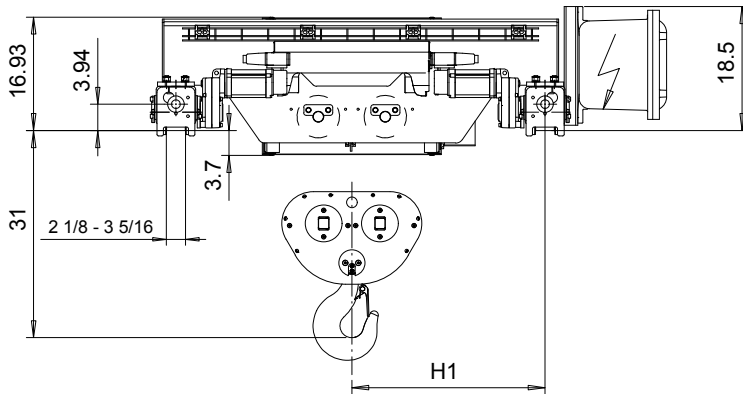


R&M SPACEMASTER EX

DOUBLE GIRDER, 6 PART DOUBLE
SX5 EX 062...D0



US-60Hz

Motor	P5	P6
MOT (in)	22.76	22.76
Weight (lb)	128	187

Load (TON)	Class ASME
12	H4+
15	H4

HOL (ft)	Length code	H1 (inch)	M1 (inch)	M2 (inch)	R (inch)	Approx. Weight (lb)
13'-1"	E	28.86	26.69	15.51	55.12	1940
19'-8"	F	34.76	32.6	18.46	66.93	2039
26'-2"	G	34.76	40.08	14.72	66.93	2105
36'-1"	H	40.67	49.92	15.71	78.74	2281
49'-2"	J	48.54	63.7	16.69	94.49	2449

min R is minimum rail gauge when service platform or second brake is supplied.
Standard rail gauges are 55 1/8", 66 15/16", 78 3/4" and 94 1/2"
The brake is mounted to the gearcase on length H and J hoists.