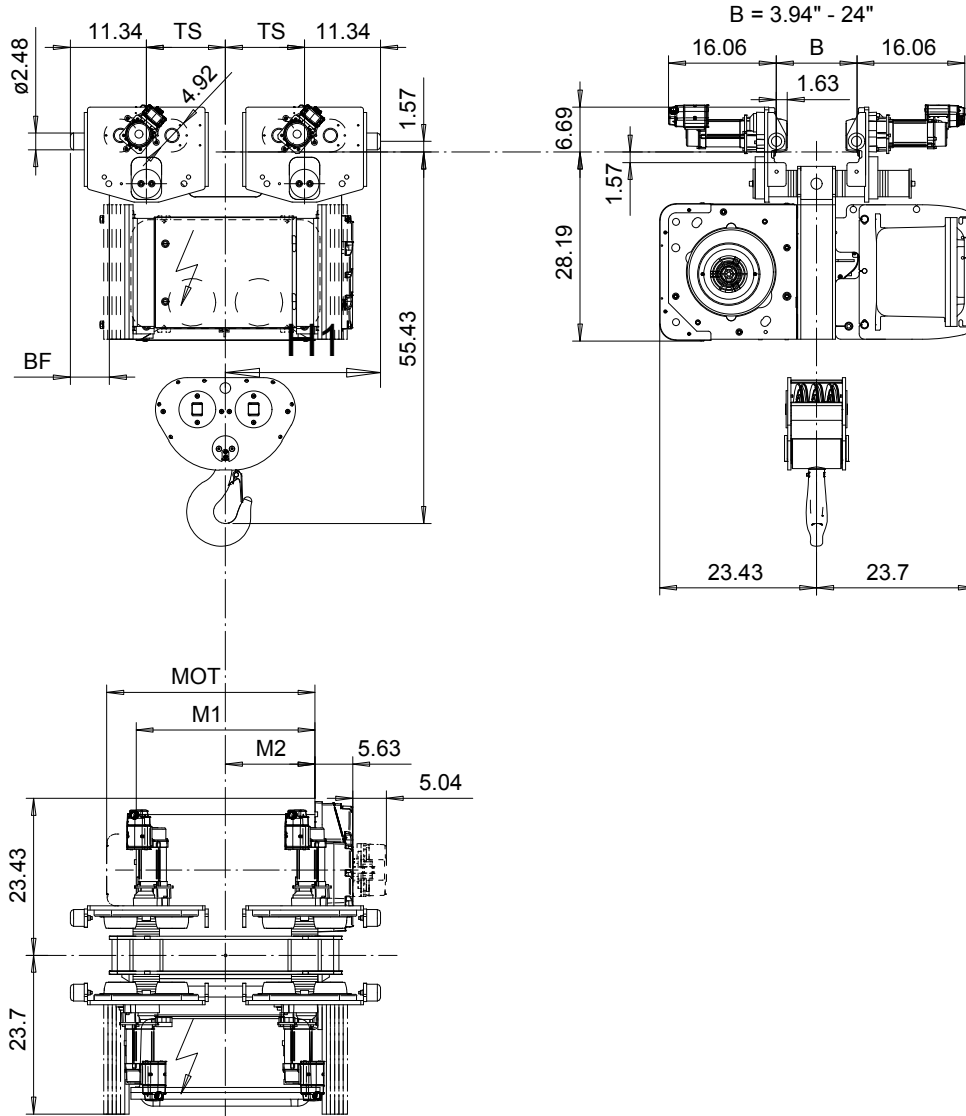


R&M SPACEMASTER EX

NORMAL HEADROOM, 6 PART DOUBLE
SX5 EX 062...N0



Motor	P5	P6
MOT (in)	22.76	22.76
Weight (lb)	128	187

HOL (ft)	Length code	H1 (inch)	M1 (inch)	M2 (inch)	BF (inch)	TS (inch)	Approx. Weight (lb)
13'-1"	E	23.15	26.69	13.35	5.83	11.81	2403
19'-8"	F	23.15	32.6	16.3	5.83	11.81	2447
26'-2"	G	31.02	40.08	20.04	-1.65	19.69	2557
36'-1"	H	31.02	49.92	24.96	-1.65	19.69	2877
49'-2"	J	31.02	63.7	31.85	-1.65	19.69	3042

Load (TON)	Class ASME
12	H4+
15	H4