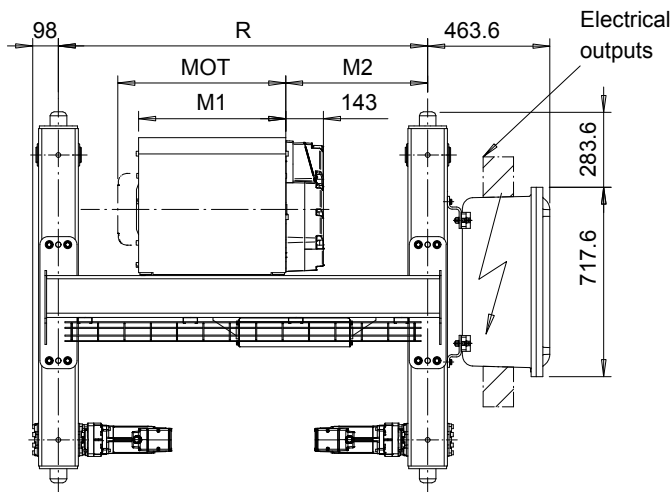
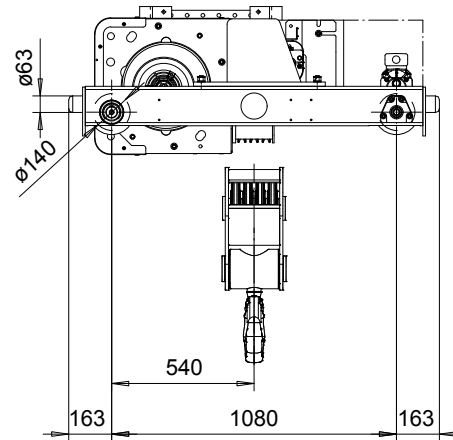
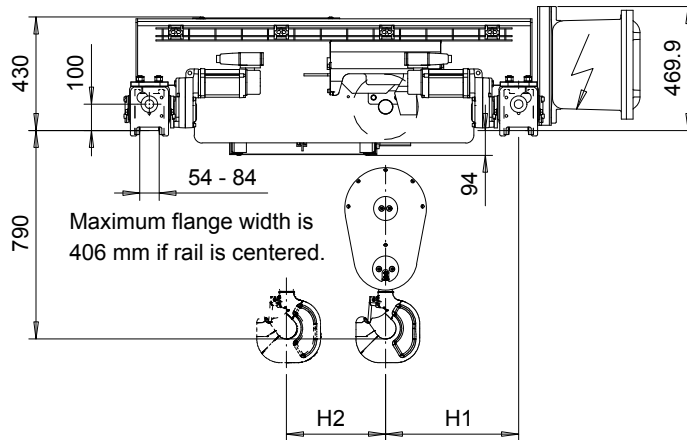


# R&M SPACEMASTER EX

DOUBLE GIRDER, 8 PART SINGLE  
SX5 EX 081...D0



SI-60Hz

Motor	P5	P6
MOT (mm)	578	578
Weight (kg)	58	85

Load (kg)	Class Fem/ISO
16000	2m/M5
20000	1Am/M4

HOL (m)	Length code	M1 (mm)	M2 (mm)	R (mm)	H1 (mm)	H2 (mm)	Approx. Weight (kg)
4.5	D	558	538	1400	505	44	870
6	E	678	758	1700	725	53	915
8	F	828	913	2000	880	76	965
10	G	1018	1123	2400	1090	98	1025

min R is minimum rail gauge when service platform or second brake is supplied.  
Standard rail gauges are 1400, 1700, 2000, and 2400