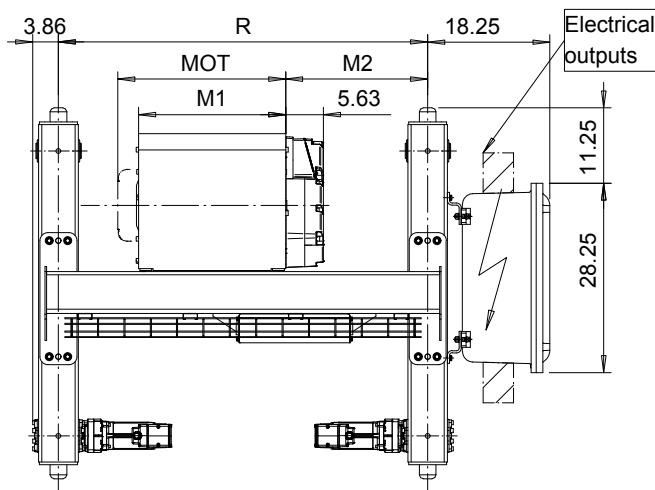
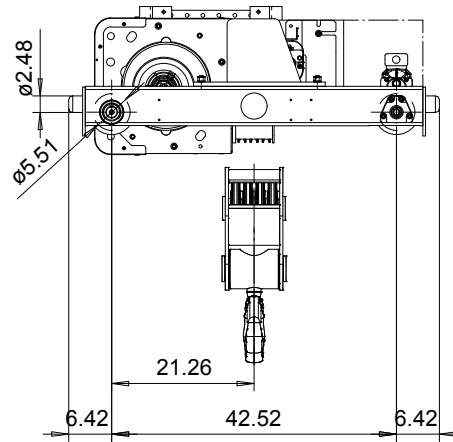
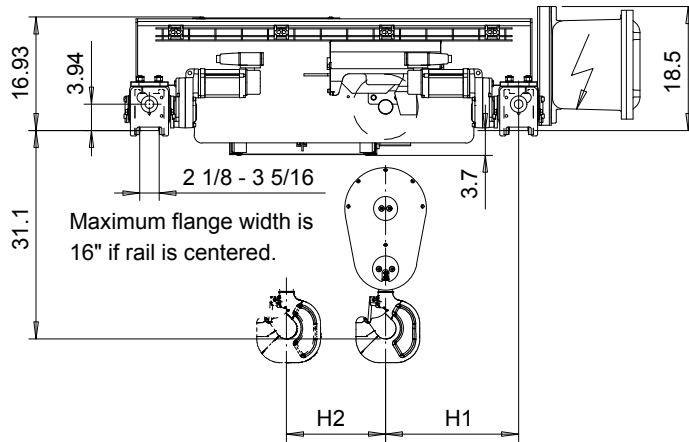


R&M SPACEMASTER EX

DOUBLE GIRDER, 8 PART SINGLE
SX5 EX 081...D0



US-60Hz

Motor	P5	P6
MOT (in)	22.76	22.76
Weight (lb)	128	187

Load (TON)	Class ASME
15	H4
20	H3

HOL	Length code	M1 (inch)	M2 (inch)	R (inch)	H1 (inch)	H2 (inch)	Approx. Weight (lb)
14'-9"	D	21.97	21.18	55.12	19.88	1.73	1918
19'-8"	E	26.69	29.84	66.93	28.54	2.09	2017
26'-2"	F	32.6	35.94	78.74	34.65	2.99	2127
32'-9"	G	40.08	44.12	94.49	42.19	3.86	2259

min R is minimum rail gauge when service platform or second brake is supplied.
Standard rail gauges are 55 1/8", 66 15/16", 78 3/4", and 94 1/2"