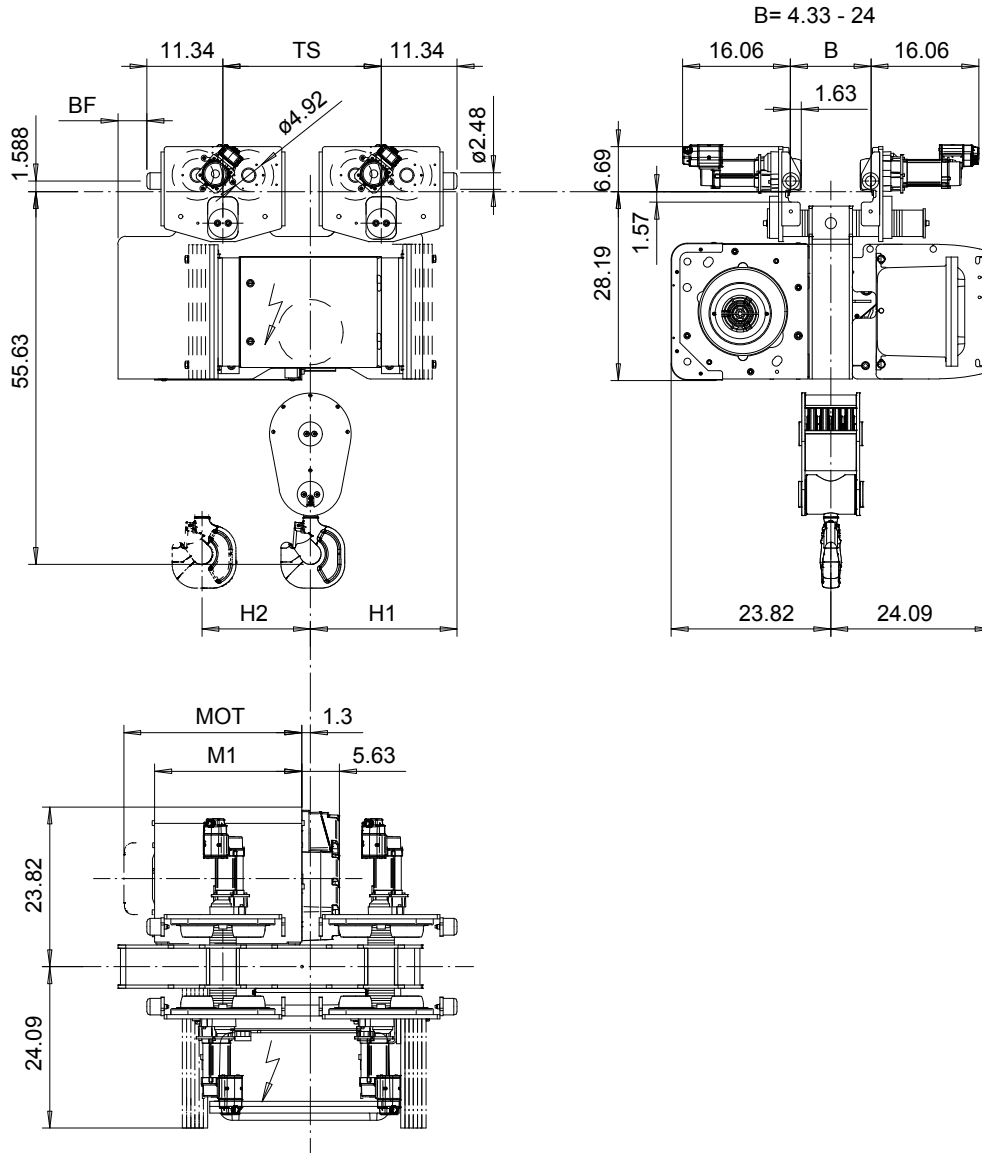


# R&M SPACEMASTER *EX*

## NORMAL HEADROOM, 8 PART SINGLE SX5 EX 081...N0



Motor	P5	P6
MOT (in)	22.76	22.76
Weight (lb)	128	187

Load (TON)	Class ASME
15	H4
20	H3

HOL	Length code	M1 (inch)	BF (inch)	TS (inch)	H1 (inch)	H2 (inch)	Approx. Weight (lb)
14'-9"	D	21.97	4.33	23.62	21.89	1.73	2513
19'-8"	E	26.69	4.33	23.62	21.89	2.2	2557
26'-2"	F	32.6	14.57	28.35	23.46	2.99	2755
32'-9"	G	40.08	14.57	28.35	23.46	3.86	2888