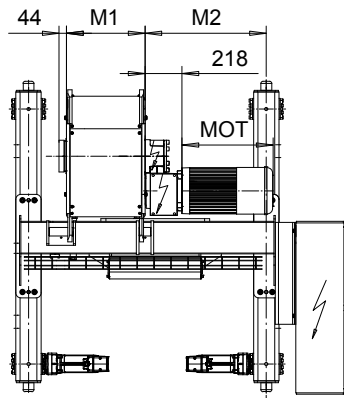
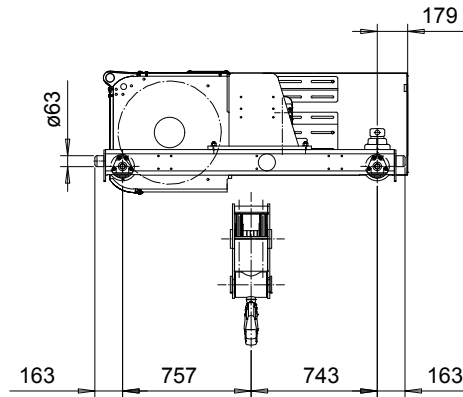
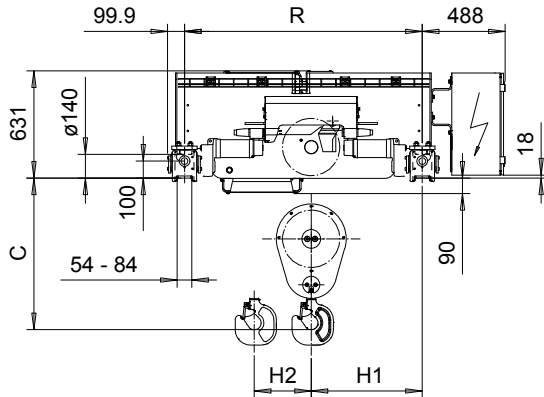


**DOUBLE GIRDER, MEDIUM, 4 PART SINGLE**  
Hoist type:  
**SX6 041...D0**

SI-60Hz



HOL	HOL*	Length	M1	M2	H1	H2	Min R	Max R	Approx Weight
(m)	(m)	code	(mm)	(mm)	(mm)	(mm)	(mm)	(mm)	(kg)
7.5	4.5	C	462	714	654	69	1400	1400	1290
10.5	7.5	D	562	799	739	94	1700	2700	1360
14	11	E	682	799	739	125	1700	3100	1410
18	15	F	832	949	889	161	2000	3100	1500
23.5	20.5	G	1022	1149	1089	210	2400	3100	1620
30.5	27.5	H	1272	1469	1409	273	3100	3800	1790
40	37	J	1622	1559	1499	360	3400	4200	2000
48.5	45.5	K	1922	1944	1884	434	4200	4200	2240

HOL\* with optional drum brake Weight of drum brake is 80 kg.

Motor	P6	P7	P8	A7	S7	S8	SA
MOT (mm)	536	576	711	536	715	763	803
Weight (kg)	85	105	106	71	81	97	120

Load	Class
(kg)	Fem/ISO
12500	3m/M6
16000	2m/M5
20000	1Am/M4

Headroom - C dimension	
Standard	892 mm
with HS22 Hook operated limit switch	942 mm

Standard rail gauges are 1400, 1700, 2000, 2400, 2700, 3100, 3400, 3800, and 4200 mm.

H1 and M2 are listed at Min R.

Hoist weight calculated at Min R, with P6 motor, without drum brake.

This document is the absolute property of R&M Materials Handling, Inc. This document must not be copied without the written permission of R&M Materials Handling, Inc. The contents thereof must not be disclosed to a third party nor be used for any unauthorized purpose. Contravention will be prosecuted.

ETTPAL Design	ETTPAL Ctd	Appd	Ref Drawing	QD-M-04
2002-09-02 Date	TROLLEY; DOUBLE GIRDER			1:19
SLEODOCV Owner Dept	MEDIUM, 4 ROPE FALLS			Folder
R&M MATERIALS HANDLING INC.	R&M MATERIALS HANDLING, INC. HOIST & CRANE PRODUCTS SPRINGFIELD, OHIO	D006648-A		Issue 6