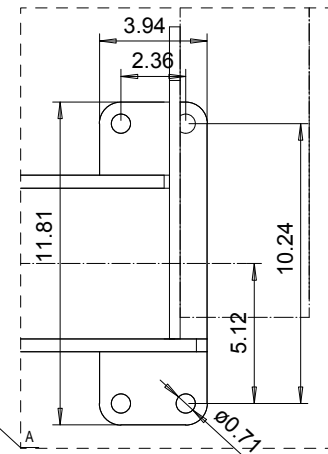
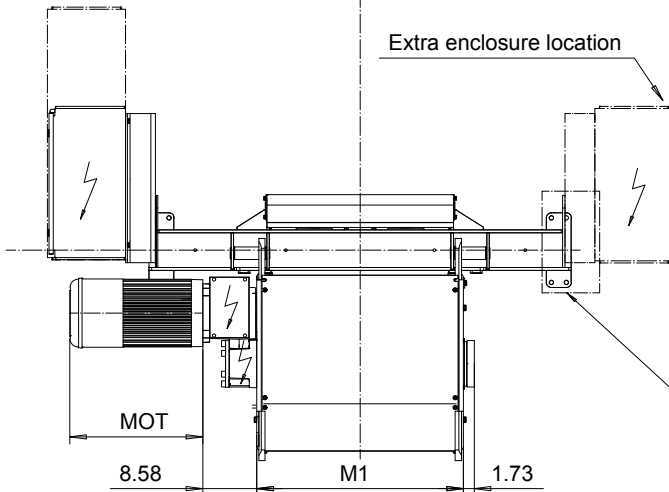
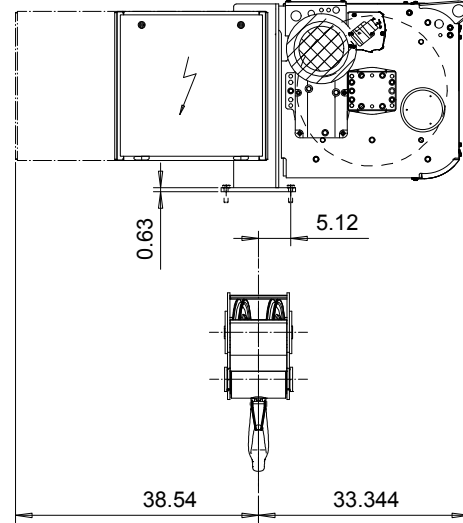
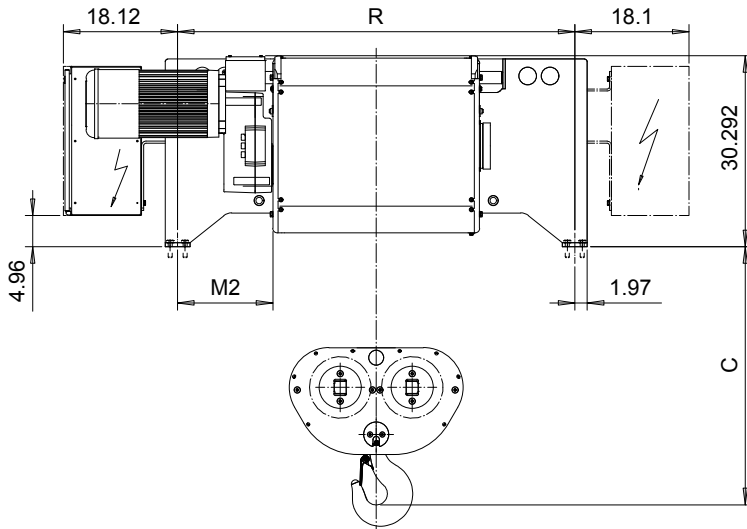


FOOT MOUNT, 4 PART DOUBLE

Hoist type:

SX6 042...F0

US-60Hz



HOL (ft)	HOL* (ft)	Length code	R (inch)	M1 (inch)	M3 (inch)	Approx Weight (lb)
24'-7"	N.A.	E	62.99	26.85	18.07	2866
34'-5"	24'-7"	F	62.99	32.75	15.12	2866
45'-11"	36'-1"	G	62.99	40.23	11.38	3086
62'-4"	52'-6"	H	86.61	50.07	18.27	3527
83'-8"	73'-10"	J	86.61	63.85	11.38	3748
103'-4"	93'-6"	K	88.58	75.66	6.46	4189
126'-4"	116'-6"	L	88.58	89.44	-0.39	4409
142'-8"	132'-11"	M	110.24	99.29	5.47	4850
160'-10"	150'-11"	N	110.24	111.10	-0.39	5291

HOL* with optional drum brake Weight of drum brake is 176 lb.

Motor	P6	P7	P8	A7	S7	S8	SA
MOT (in)	21.1	22.7	28	21.1	28.1	30	31.6
Weight (lb)	187	231	234	157	179	214	265

Load (TON)	Class ASME
12	H4+
15	H4
20	H3

Headroom - C dimension	
Standard	41"
with HS22 Hook operated limit switch	43"

Hoist weight calculated with P6 motor weight and without drum brake.

This document is the absolute property of R&M Materials Handling, Inc. This document must not be copied without the written permission of R&M Materials Handling, Inc. The contents thereof must not be disclosed to a third party nor be used for any unauthorized purpose. Contravention will be prosecuted.

ETTPAL Design	KHHMKH	Appd	Ref Drawing	QD-F-24
2002-09-03 Date	HOIST; FIXED			1:13
SLEQDOCV Owner Dept	2x4 ROPE FALLS			Folder
R&M MATERIALS HANDLING, INC.	R&M MATERIALS HANDLING, INC. HOIST & CRANE PRODUCTS SPRINGFIELD, OHIO	D006941-A		Issue 2/2016