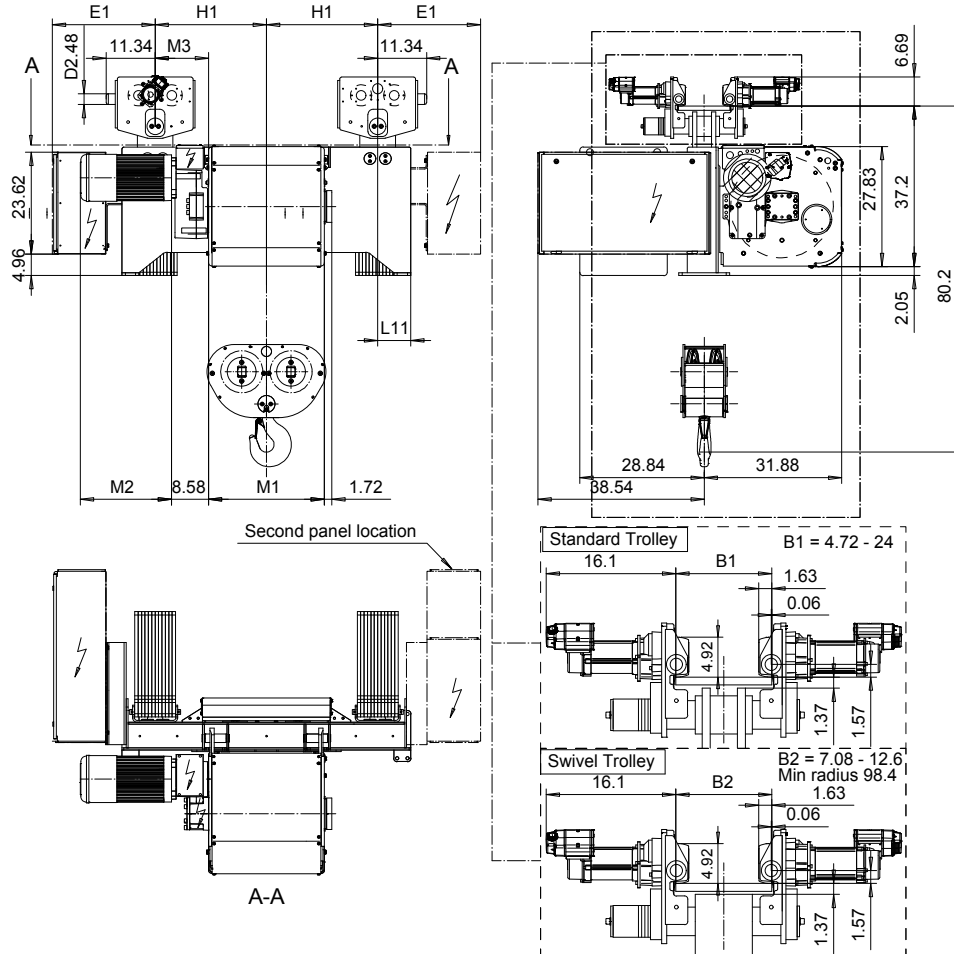


NORMAL HEADROOM, 4 PART DOUBLE
Hoist type:
SX6 042...N0

US-60Hz



HOL (ft)	HOL* (ft)	Length code	E1 (inch)	M1 (inch)	M3 (inch)	H1 (inch)	L11 (inch)	Wgt - Std Trly (lb)	Wgt - Swivel Trly (lb)
24'-7"	N.A.	E	23.82	26.85	12.36	25.79	7.68	4630	5071
34'-5"	24'-7"	F	23.82	32.75	9.41	25.79	7.68	4850	5291
45'-11"	36'-1"	G	23.82	40.23	5.67	25.79	7.68	5291	5732
62'-4"	52'-6"	H	23.82	50.07	12.56	37.6	7.68	5732	6393
83'-8"	73'-10"	J	23.82	63.85	9.41	37.6	7.68	6393	6834
103'-4"	93'-6"	K	36.42	75.66	-12.05	25.79	20.47	6834	7496
126'-4"	116'-6"	L	36.42	89.44	-18.94	25.79	20.47	7496	8157
142'-8"	132'-11"	M	35.43	99.29	-12.05	37.6	19.49	8157	9039
160'-10"	150'-11"	N	35.43	111.10	-18.94	37.6	19.49	8598	9480

Note: Hoist weight when B = 12"
 HOL* with optional drum brake Weight of drum brake 176 lbs

Load (TON)	Class ASME
12 1/2	H4+
15	H4
20	H4

Motor	P6	P7	P8	A7	S7	S8	SA
M2 (inch)	21.10	22.8	28	21.1	28.2	30	31.62
Weight (lb)	188	232	234	157	179	214	265

This document is the absolute property of R&M Materials Handling, Inc. This document must not be copied without the written permission of R&M Materials Handling, Inc. The contents thereof must not be disclosed to a third party nor be used for any unauthorized purpose. Contravention will be prosecuted.

CSDTLI Design 2010-11-30 Date	KHHMKH Chd Appd	Ref Drawing	QD-N-24
SLEODOCV Owner Dept	TROLLEY; NORMAL HEADROOM 2x4 ROPE FALLS		1 of 19 Folder
R&M MATERIALS HANDLING INC.	R&M MATERIALS HANDLING, INC. HOIST & CRANE PRODUCTS SPRINGFIELD, OHIO	D006896-A	Issue 2/2016