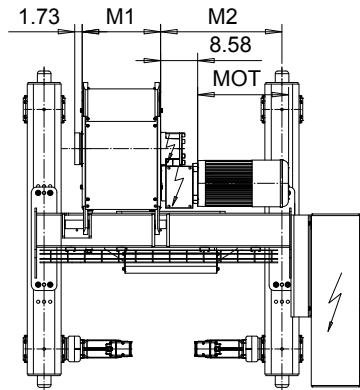
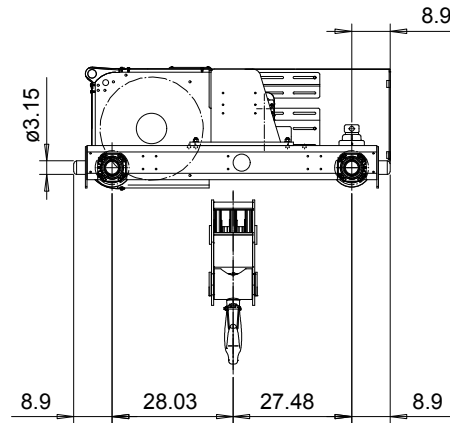
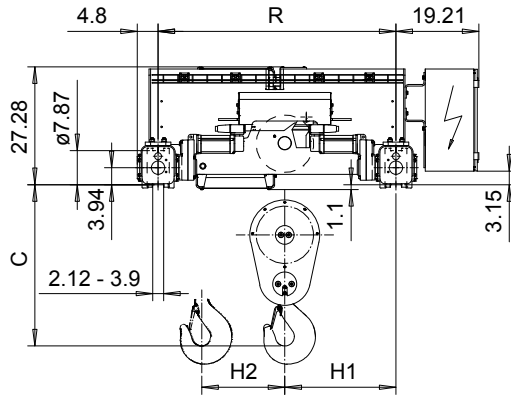


DOUBLE GIRDER, MEDIUM, 6 PART SINGLE
Hoist type:
SX6 061...D0

US-60Hz



HOL (ft)	HOL* (ft)	Length code	M1 (inch)	M2 (inch)	H1 (inch)	H2 (inch)	Min R (ft)	Max R (ft)	Approx Weight (lb)
16'-4"	9'-10"	C	18.19	28.11	25.75	1.81	4'-7 1/8"	4'-7 1/8"	3461
22'-11"	16'-5"	D	22.13	31.46	29.09	2.48	5'-6 15/16"	8'-10 5/16"	3638
29'-6"	23'-0"	E	26.85	31.46	29.09	3.31	5'-6 15/16"	10'-2"	3748
39'-4"	32'-10"	F	32.76	37.36	35	4.21	6'-6 3/4"	10'-2"	3968
50'-10"	44'-3"	G	40.24	45.24	42.87	5.51	7'-10 1/2"	10'-2"	4277
65'-7"	59'-1"	H	50.08	57.83	55.47	7.17	10'-2"	12'-5 5/8"	4872
86'-11"	80'-5"	J	63.86	61.38	59.02	9.45	11'-1 7/8"	13'-9 3/8"	5357
105'-0"	98'-5"	K	75.67	76.54	74.17	11.38	13'-9 3/8"	13'-9 3/8"	6217

HOL* with optional drum brake Weight of drum brake is 176 lb.

Motor	P6	P7	P8	A7	S7	S8	SA
MOT (in)	21.1	22.7	28	21.1	28.1	30	31.6
Weight (lb)	187	231	234	157	179	214	265

Load (TON)	Class ASME
20	H4+
25	H4
30	H3

Headroom - C dimension	
Standard	37.5"
with HS22 Hook operated limit switch	39.5"

Standard rail gauges are 4'-7 1/8", 5'-6 15/16", 6'-6 3/4", 7'-10 1/2", 8'-10 5/16", 10'-2", 11'-1 7/8", 12'-5 5/8" and 13'-9 3/8".

H1 and M2 are listed at Min R.

Hoist weight calculated at Min R, with P6 motor, without drum brake.

This document is the absolute property of R&M Materials Handling, Inc. This document must not be copied without the written permission of R&M Materials Handling, Inc. The contents thereof must not be disclosed to a third party nor be used for any unauthorized purpose. Contravention will be prosecuted.

ETTPAL Design	ETTPAL Chd	Appd	Ref Drawing	QD-M-06
2002-09-02 Date	TROLLEY; DOUBLE GIRDER			1:19
SLEODOCV Owner Dept	MEDIUM, 6 ROPE FALLS			Folder
R&M MATERIALS HANDLING INC.	R&M MATERIALS HANDLING, INC. HOIST & CRANE PRODUCTS SPRINGFIELD, OHIO	D006649-A		Issue 5