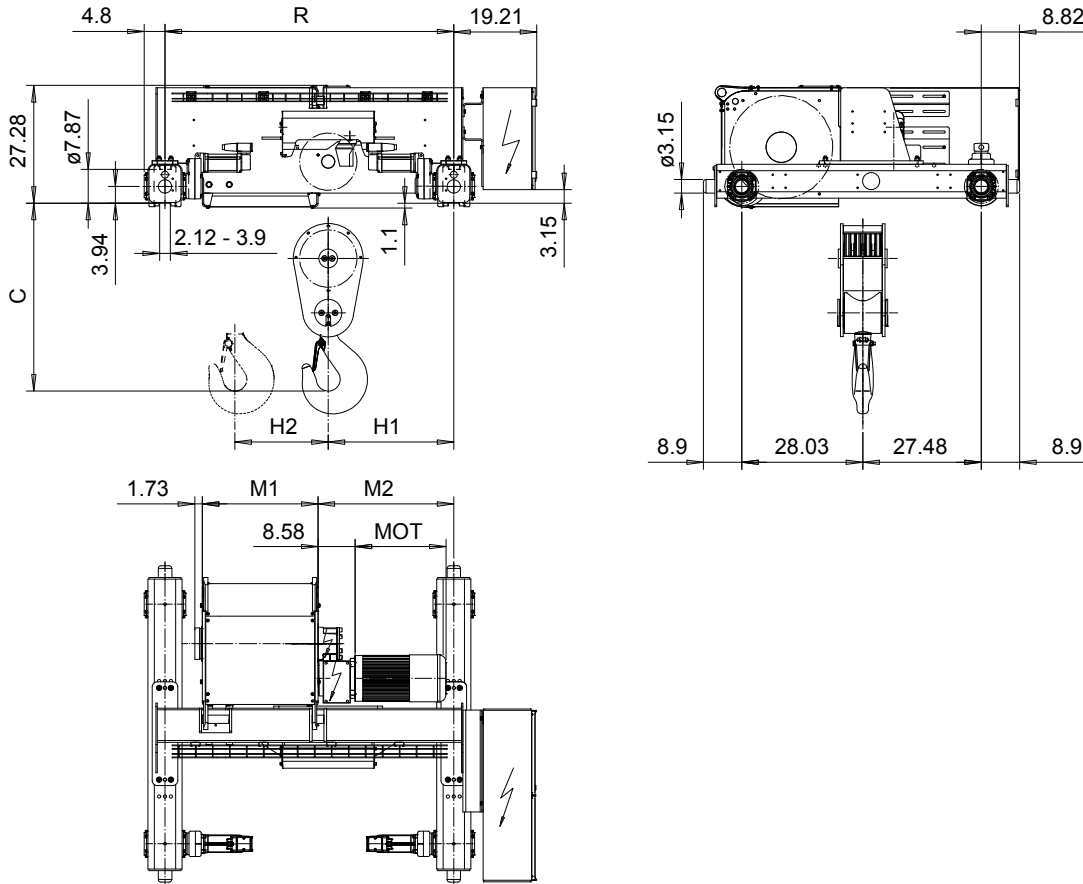


**DOUBLE GIRDER, MEDIUM, 8 PART SINGLE**  
Hoist type:  
**SX6 081...D0**

**US-60Hz**



HOL	HOL*	Length	M1	M2	H1	H2	Min R	Max R	Approx Weight
(ft)	(ft)	code	(inch)	(inch)	(inch)	(inch)	(ft)	(ft)	(lb)
22'-11"	18'-1"	E	26.85	31.46	29.09	2.48	5'-6 15/16"	10'-2"	3925
29'-6"	24'-7"	F	32.76	37.36	35	3.18	6'-6 3/4"	10'-2"	4145
37'-8"	32'-10"	G	40.24	45.24	42.87	4.13	7'-10 1/2"	10'-2"	4432
49'-2"	44'-3"	H	50.08	57.83	55.47	5.39	10'-2"	12'-5 5/8"	5027
65'-7"	60'-8"	J	63.86	61.38	59.02	7.08	11'-1 7/8"	13'-9 3/8"	5535
78'-9"	73'-10"	K	75.67	76.54	74.17	8.54	13'-9 3/8"	13'-9 3/8"	6372

HOL\* with optional drum brake Weight of drum brake is 176 lb.

Motor	P6	P7	P8	A7	S7	S8	SA
MOT (in)	21.1	22.7	28	21.1	28.1	30	31.6
Weight (lb)	187	231	234	157	179	214	265

Load	Class
(TON)	ASME
30	H4
40	H3

Headroom - C dimension	
Standard	43.5"
with HS22 Hook operated limit switch	45.5"

Standard rail gauges are 5'-6 15/16", 6'-6 3/4", 7'-10 1/2", 8'-10 5/16", 10'-2", 11'-1 7/8", 12'-5 5/8" and 13'-9 3/8".

H1 and M2 are listed at Min R.

Hoist weight calculated at Min R, with P6 motor, without drum brake.

This document is the absolute property of R&M Materials Handling, Inc. This document must not be copied without the written permission of R&M Materials Handling, Inc. The contents thereof must not be disclosed to a third party nor be used for any unauthorized purpose. Contravention will be prosecuted.

ETTPAL Design	ETTPAL Chd	Appd	Ref Drawing	QD-M-08
2002-09-02 Date	TROLLEY; DOUBLE GIRDER			1:19
SLEODOCV Owner Dept	MEDIUM, 8 ROPE FALLS			Folder
R&M MATERIALS HANDLING INC.	R&M MATERIALS HANDLING, INC. HOIST & CRANE PRODUCTS SPRINGFIELD, OHIO	D006650-A		Issue 6