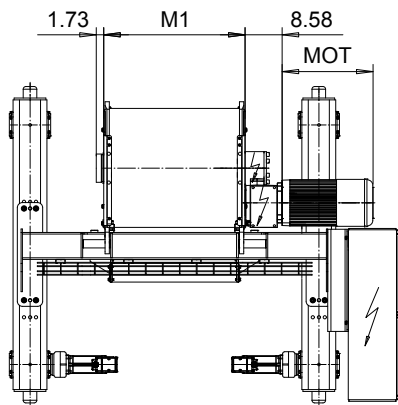
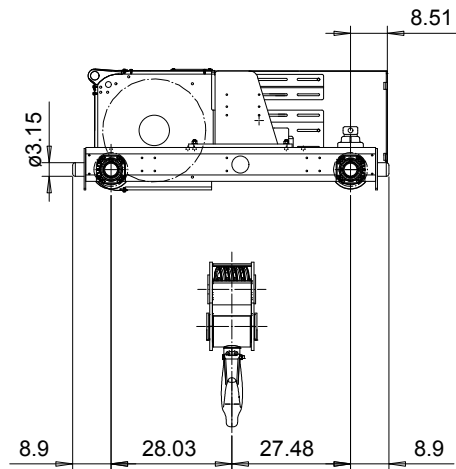
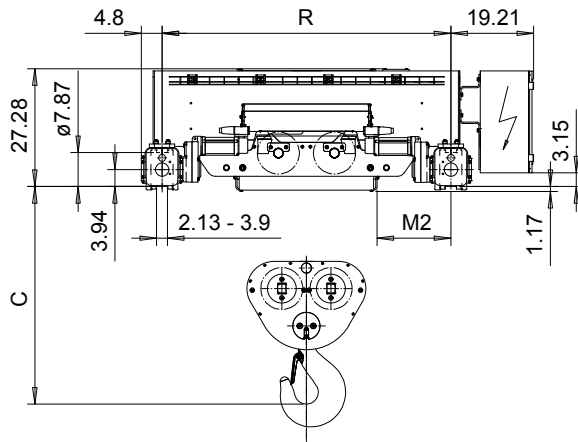


# DOUBLE GIRDER, MEDIUM, 8 PART DOUBLE

Hoist type:  
SX6 082...D0

US-60Hz



| HOL     | HOL*    | Length | M1     | M2     | Min R       | Max R       | Approx Weight |
|---------|---------|--------|--------|--------|-------------|-------------|---------------|
| (ft)    | (ft)    | code   | (inch) | (inch) | (ft)        | (ft)        | (lb)          |
| 16'-5"  | 11'-6"  | F      | 32.76  | 17.09  | 5'-6 15/16" | 7'-10 1/2"  | 4079          |
| 23'-0"  | 18'-0"  | G      | 40.24  | 13.35  | 5'-6 15/16" | 8'-10 5/16" | 4233          |
| 31'-2"  | 26'-2"  | H      | 50.08  | 14.33  | 6'-6 3/4"   | 10'-2"      | 4520          |
| 41'-0"  | 36'-1"  | J      | 63.86  | 15.31  | 7'-10 1/2"  | 11'-1 7/8"  | 4916          |
| 50'-11" | 45'-11" | K      | 75.67  | 15.31  | 8'-10 5/16" | 11'-1 7/8"  | 5291          |
| 62'-4"  | 55'-5"  | L      | 89.49  | 16.3   | 10'-2"      | 11'-1 7/8"  | 5776          |
| 70'-6"  | 65'-7"  | M      | 99.29  | 17.28  | 11'-1 7/8"  | 12'-5 5/8"  | 6151          |
| 80'-5"  | 75'-6"  | N      | 111.1  | 19.25  | 12'-5 5/8"  | 13'-9 3/8"  | 6636          |

HOL\* with optional drum brake Weight of drum brake is 176 lb.

| Motor       | P6   | P7   | P8  | A7   | S7   | S8  | SA   |
|-------------|------|------|-----|------|------|-----|------|
| MOT (in)    | 21.1 | 22.7 | 28  | 21.1 | 28.1 | 30  | 31.6 |
| Weight (lb) | 187  | 231  | 234 | 157  | 179  | 214 | 265  |

| Load  | Class |
|-------|-------|
| (TON) | ASME  |
| 30    | H4    |
| 40    | H3    |

| Headroom - C dimension               |       |
|--------------------------------------|-------|
| Standard                             | 50.5" |
| with HS22 Hook operated limit switch | 52.5" |

Standard rail gauges are 5'-6 15/16", 6'-6 3/4", 7'-10 1/2", 8'-10 5/16", 10'-2", 11'-1 7/8", 12'-5 5/8" and 13'-9 3/8".

M2 is listed at Min R.

Hoist weight calculated at Min R, with P6 motor, without drum brake.

This document is the absolute property of R&M Materials Handling, Inc. This document must not be copied without the written permission of R&M Materials Handling, Inc. The contents thereof must not be disclosed to a third party nor be used for any unauthorized purpose. Contravention will be prosecuted.

|                                      |  |           |             |            |
|--------------------------------------|--|-----------|-------------|------------|
| ETTPAL<br>Design                     | ETTPAL<br>Chd  | Appd      | Ref Drawing | QD-M-28    |
| 2002-09-02<br>Date                   | TROLLEY; DOUBLE GIRDER   |           |             | 1:19       |
| SLEODOCV<br>Owner Dept               | MEDIUM, 2x8 ROPE FALLS   |           |             | Folder     |
| R&M<br>MATERIALS<br>HANDLING<br>INC. | R&M MATERIALS HANDLING, INC<br>HOIST & CRANE PRODUCTS<br>SPRINGFIELD, OHIO | D006654-A |             | Issue<br>4 |