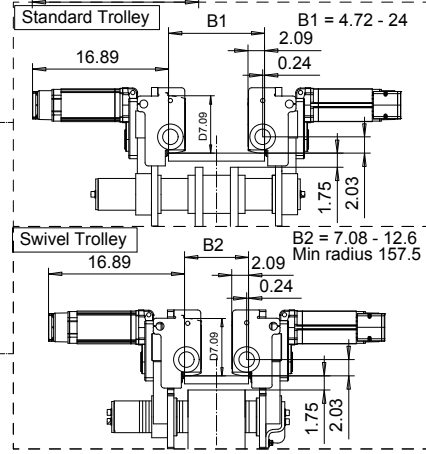
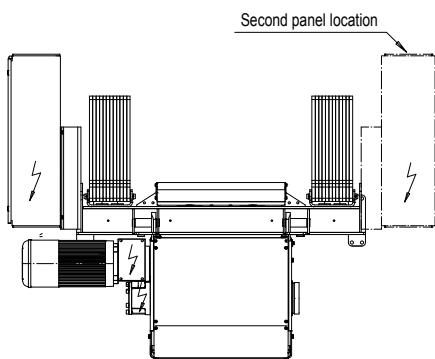
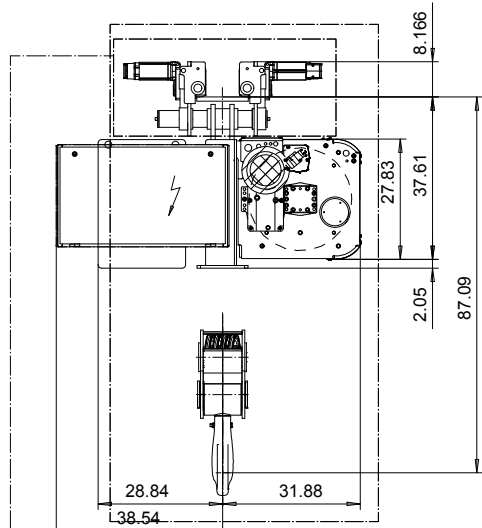
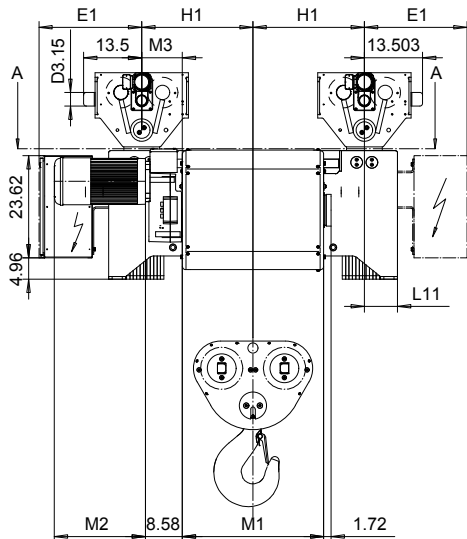


**NORMAL HEADROOM, 8 PART DOUBLE**  
**Hoist type:**  
**SX6 082...N0**

**US-60Hz**



A-A

HOL (ft)	HOL* (ft)	Length code	E1 (inch)	M1 (inch)	M3 (inch)	H1 (inch)	L11 (inch)	Wgt - Std Trly (lb)	Wgt - Swivel Trly (lb)
16'-5"	11'-6"	F	23.82	32.75	9.41	25.79	7.68	5952	6393
23'-0"	18'-0"	G	23.82	40.23	5.67	25.79	7.68	6173	6614
31'-2"	26'-2"	H	23.82	50.07	12.56	37.6	7.68	6614	7275
41'-0"	36'-1"	J	23.82	63.85	5.67	37.6	7.68	7275	7937
50'-11"	45'-11"	K	36.42	75.66	-12.05	25.79	20.47	7716	8598
62'-4"	57'-5"	L	36.42	89.44	-18.94	25.79	20.47	8378	9259
70'-6"	65'-7"	M	35.43	99.29	-12.05	37.6	19.49	9039	9921
80'-5"	75'-6"	N	35.43	111.10	-17.95	37.6	19.49	9700	10582

Note: Hoist weight when B = 12"  
 HOL\* with optional drum brake Weight of drum brake 176 lbs

Load (TON)	Class ASME
30	H4
40	H3

Motor	P6	P7	P8	A7	S7	S8	SA
M2 (inch)	21.10	22.8	28	21.1	28.2	30	31.62
Weight (lb)	188	232	234	157	179	214	265

This document is the absolute property of R&M Materials Handling, Inc. This document must not be copied without the written permission of R&M Materials Handling, Inc. The contents thereof must not be disclosed to a third party nor be used for any unauthorized purpose. Contravention will be prosecuted.

CSDTLI Design	KHHMKH Chd	Appd	Ref Drawing	QD-N-28
2003-04-16 Date	TROLLEY; NORMAL HEADROOM			
SLEODOCV Owner Dept	2X8 ROPE FALLS			
<b>R&amp;M</b> MATERIALS HANDLING INC.	R&M MATERIALS HANDLING, INC. HOIST & CRANE PRODUCTS SPRINGFIELD, OHIO	<b>D006898-A</b>		Issue 2/2016