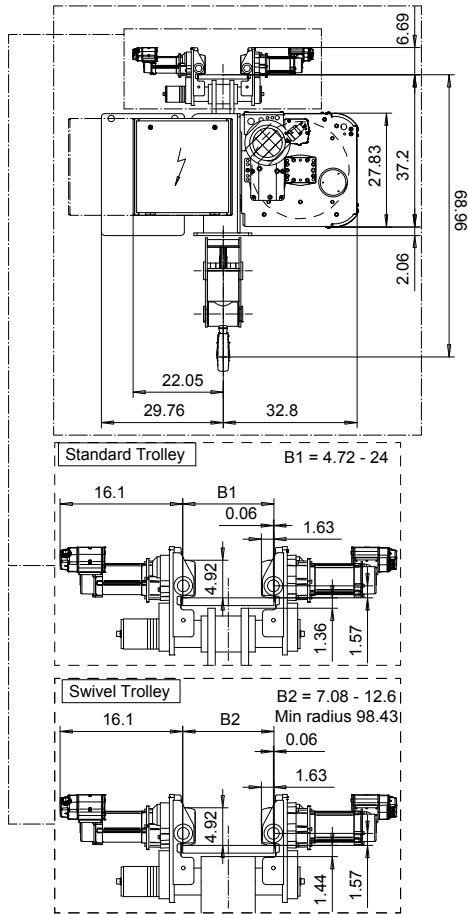
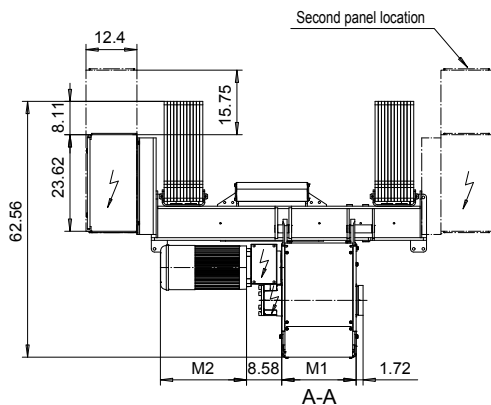
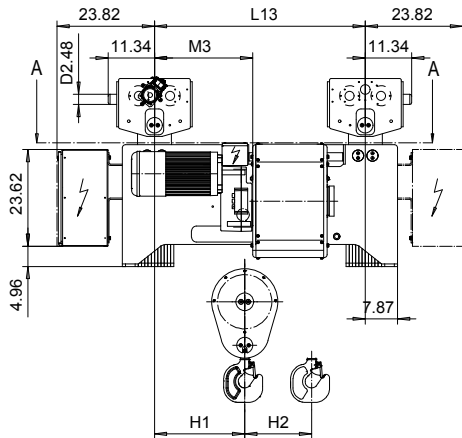


NORMAL HEADROOM, 2 PART SINGLE

US-60Hz

Hoist type:  
SX6 021...N0



Motor	P6,T6,T7,T8,T9	P7,TA	P8
M2 (inch)	21.10	22.67	27.99

HOL (ft)	Length code	M1 (inch)	M3 (inch)	L13 (inch)	H1 (inch)	H2 (inch)	Wgt - Std Ttry (lb)	Wgt - Swivel Ttry (lb)
50'- 10"	C	18.18	24.02	51.57	22.09	5.47	4410	4850
68'- 10"	D	22.12	24.02	51.57	22.09	7.40	4410	5071
91'- 10"	E	26.85	22.05	60.63	20.12	9.88	4850	5291
118'- 1"	F	32.75	22.05	60.63	20.12	12.67	5071	5512
154'-2"	G	40.23	25.2	80.71	23.27	16.57	5512	5952
200'- 1"	H	50.07	25.2	80.71	23.27	21.49	5953	6393
264'- 1"	J	63.85	23.62	75.2	21.69	28.38	6834	7496
318'-2"	K	75.66	23.62	75.2	21.69	34.17	7275	7964

Note: Weight when B = 12"

Load (TON)	Class ASME	Hoisting motor					
		Hoisting speed (ft/min): Gear code					
		30/4.9:E	40/6.7:F	50/7.8:G	60:H	80:J	
6	H4+	P6,T6	P6,T6	P7,T7	T8	T9	
7 1/2	H4	P6,T6	P6,T6	P7,T7	T8	T9	
10	H3	P6,T6	P7,T7	P8,T8	T9	TA	

Hoist Panel Dimensions WxD (inch) + Configuration for Monorail Hoists				
Trolley control type	2-spd or CMXC	CM Select 002	CM Select 003-004	CM Select 005-007
Panel size + 2nd panel size - 380-500V	39.37 x 23.62	39.37 x 23.62	39.37 x 23.62	39.37 x 23.62 + 39.37 x 23.62
Panel size + 2nd panel size - Other Voltages	39.37 x 23.62	39.37 x 23.62	39.37 x 23.62 + 23.62 x 15.75	39.37 x 23.62 + 39.37 x 23.62

This document is the absolute property of R&M Materials Handling, Inc. This document must not be copied without the written permission of R&M Materials Handling, Inc. The contents thereof must not be disclosed to a third party nor be used for any unauthorized purpose. Contravention will be prosecuted.

ETTVPH Des: Lgt 2010-11-30 Date	ETTPAL Chd Appd	Def Drawing	QD-N-02
SLEQDOCV Owner Dept	TROLLEY; NORMAL HEADROOM		
R&M MATERIALS HANDLING INC.	2 ROPE FALLS		
R&M MATERIALS HANDLING, INC. HOIST & CRANE PRODUCTS SPRINGFIELD, OHIO	D006985-A		
			11/2010