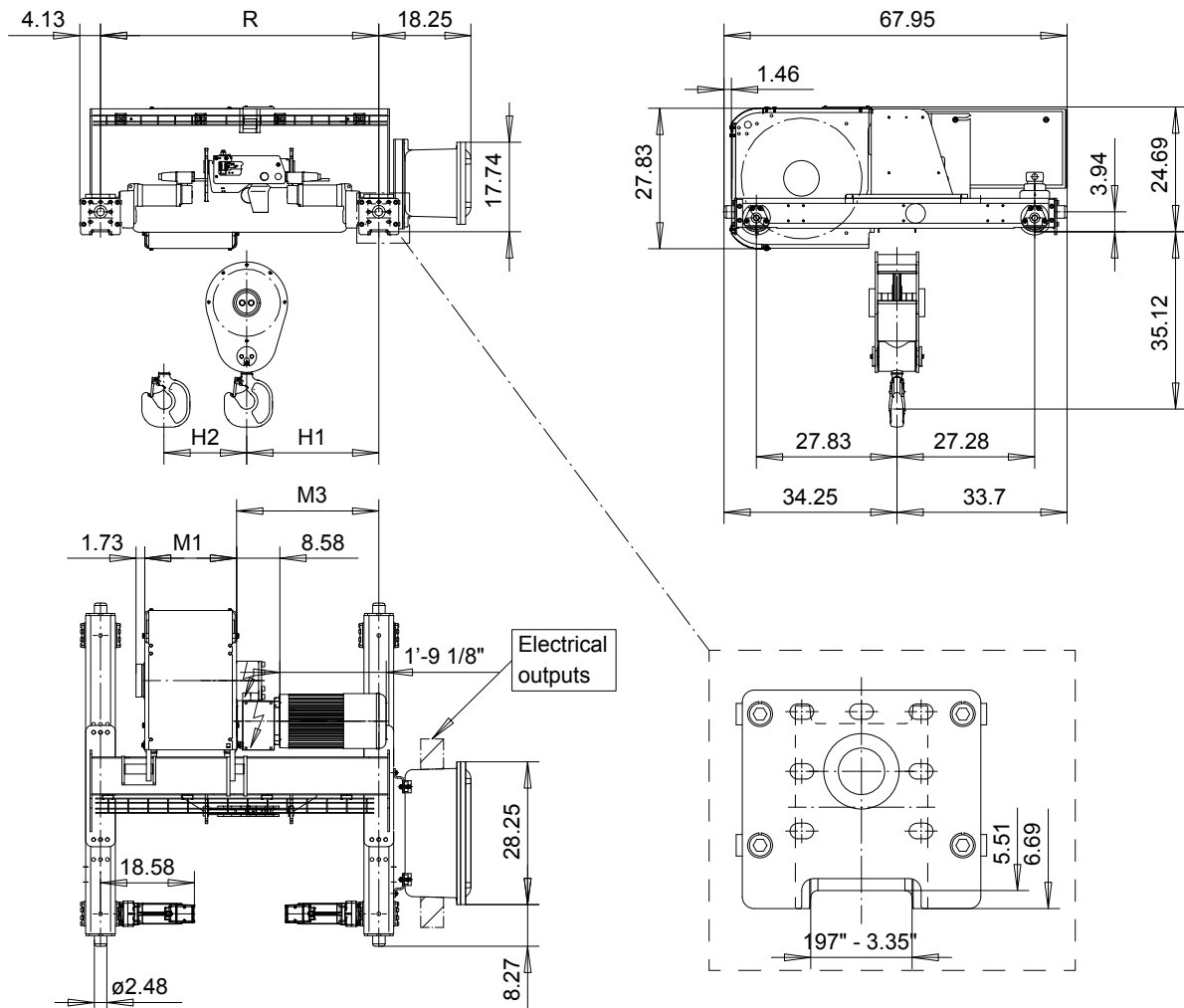


# R&M SPACEMASTER EX

DOUBLE GIRDER, 2 PART SINGLE  
SX6 EX 021...D0



US-60Hz

Load (TON)	Class ASME	Hoisting speed (fpm)	
		30/4.9	40/6.7
6	H4+	30/4.9	40/6.7
7 1/2	H4	30/4.9	40/6.7
10	H3	30/4.9	-

HOL (ft-in)	Length code	M1 (in)	M3 (in)	H1 (in)	H2 (in)	min R-max R (in)	Weight (lb)
50'-10"	C	18 3/16	28 3/16	26 3/16	5 1/2	55 1/8	2999
68'-10"	D	22 1/8	31 9/16	29 9/16	7 7/16	66 15/16	2999
91'-10"	E	26 7/8	31 9/16	29 9/16	9 7/8	66 15/16 - 78 3/4	3087
118'-1"	F	32 3/4	37 7/16	37 3/8	12 11/16	75 3/4 - 106 5/16	3285
154'-2"	G	40 1/4	45 5/16	43 5/16	16 9/16	94 1/2 - 122 1/16	3528
200'-1"	H	50 1/16	57 15/16	55 15/16	21 1/2	122 1/16 - 149 5/8	3968
264'-1"	J	63 7/8	61 7/16	59 7/16	28 3/8	138 7/8 - 165 3/8	4409
318'-2"	K	75 11/16	76 5/8	74 5/8	34 3/16	165 3/8	4960

min R is minimum rail gauge when service platform is supplied. Weight calculated at minR. Weight increases with longer gauges. Standard rail gauges are 55 1/8", 66 15/16", 78 3/4", 94 1/2", 106 5/16", 122 1/16", 149 5/8", and 165 3/8"

R&M reserves the right to alter or amend the above information without notice