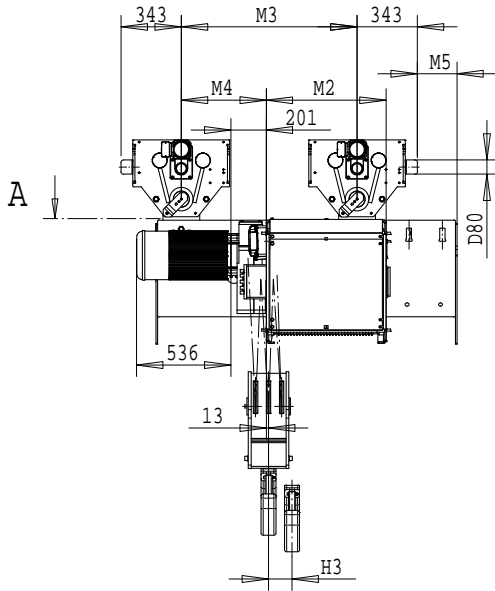
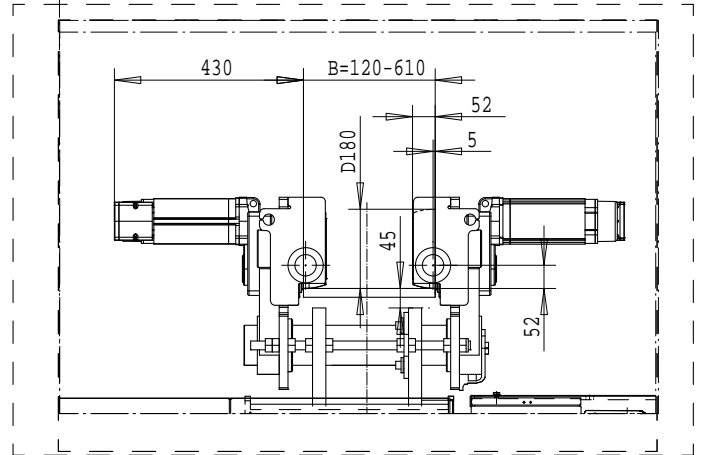
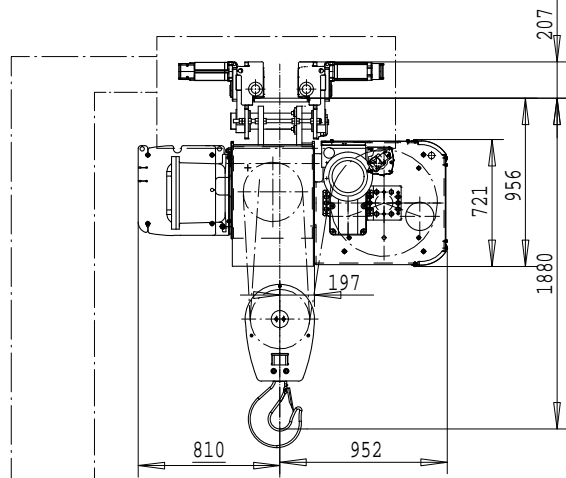
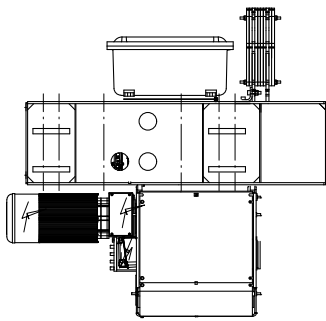


# R&M SPACEMASTER EX

NORMAL HEADROOM, 6 PART SINGLE  
SX6 EX 061...N0

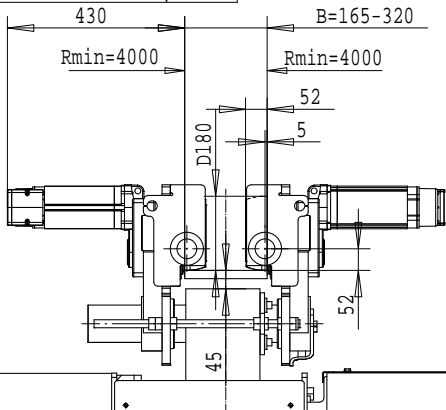


A - A



SI-60Hz

Option: curved track suspension



Load (kg)	Class Fem/ISO	Hoisting speed (m/min)	
20000	3m/M6	3/0.5	3.8/0.6

Note: Weight when B=300mm

HOL (m)	Length code	M2 (mm)	M3 (mm)	M4 (mm)	M5 (mm)	H3 (mm)	Weight (kg)
5	C	462	1200	484	-200	46	1975
7	D	562	1200	484	-200	63	2000
9	E	682	1000	484	225	84	2100
12	F	832	1000	484	225	107	2200
15.5	G	1022	1000	484	225	140	2350
20	H	1272	1450	574	765	182	2650
26.5	J	1622	1450	574	765	240	2950
32	K	1922	1450	574	765	289	3150