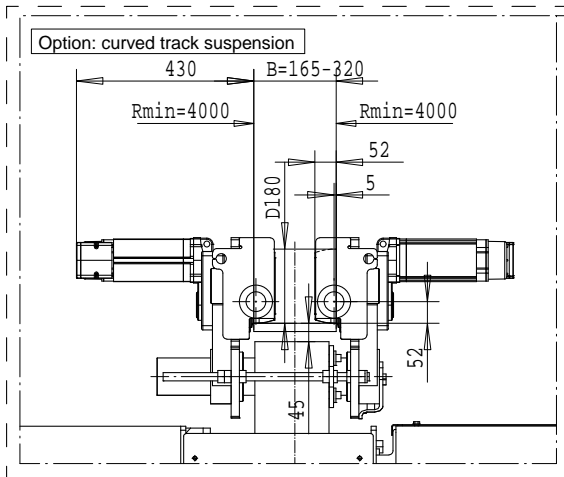
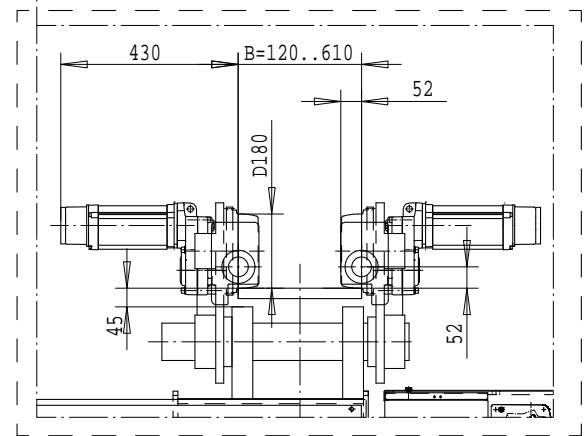
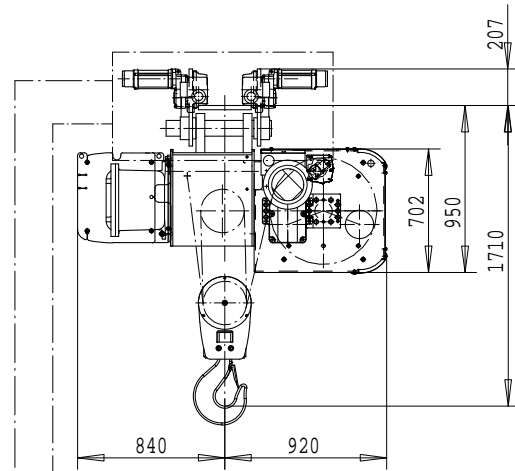
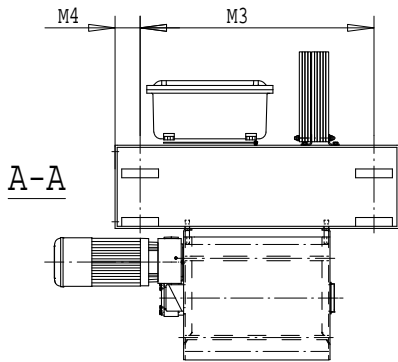
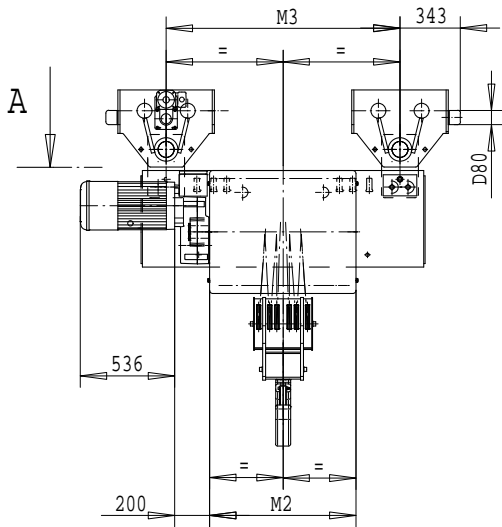


R&M SPACEMASTER EX

NORMAL HEADROOM, 6 PART DOUBLE
SX6 EX 062...N0



SI-60Hz

Load (kg)	Class Fem/ISO	Hoisting speed (m/min)	
		3/0.5	3.8/0.6
20000	3m/M6		

Note: Weight when B=300mm

HOL (m)	Length code	M2 (mm)	M3 (mm)	M4 (mm)	Weight (kg)
5.5	E	682	1330	145	1850
7	F	832	1330	145	1950
9.5	G	1022	1330	145	2050
13	H	1272	1930	145	2250
17	J	1622	1930	145	2500
21	K	1922	1330	530	2700
25.5	L	2272	1330	530	3050
28.5	M	2522	1330	805	3250
32.5	N	2822	1330	805	3500