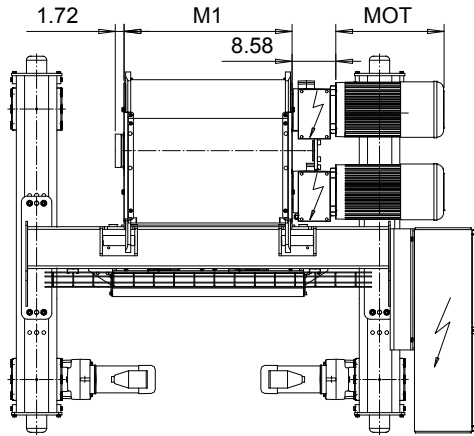
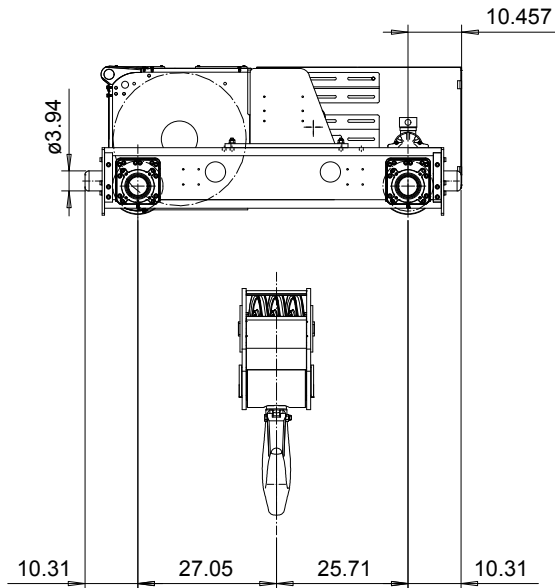
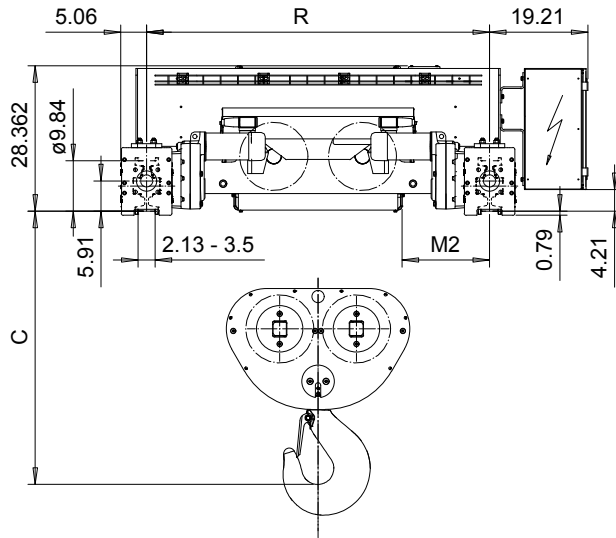


DOUBLE GIRDER, MEDIUM, 6 PART DOUBLE
Hoist type:
SX7 062...D0

US-60Hz



Headroom - C dimension	
Standard	53.5"
with HS22 Hook operated limit switch	55.5"

Motor	P6	P7	A7	S7	S8	SA
MOT (in)	21.1	22.7	21.1	28.1	30	31.6
Weight (lb)	187	231	157	179	214	265

HOL	HOL*	Length	M1	M2	Min R	Max R	Approx Weight
(ft)	(ft)	code	(inch)	(inch)	(ft)	(ft)	(lb)
16'-4"	8'-2"	F	32.76	17.09	5'-6 15/16"	7'-10 1/2"	5578
21'-3"	13'-1"	G	40.24	13.35	5'-6 15/16"	8'-10 5/16"	5930
29'-6"	21'-4"	H	50.07	22.2	6'-6 3/4"	10'-2"	6239
41'-0"	32'-10"	J	63.85	15.31	7'-10 1/2"	10'-2"	6769
49'-2"	41'-0"	K	75.66	15.31	8'-10 5/16"	10'-2"	7299
60'-8"	52'-6"	L	89.44	16.29	10'-2"	11'-1 7/8"	7894
67'-3"	59'-1"	M	99.29	17.28	11'-1 7/8"	12'-5 5/8"	8357
77'-1"	68'-11"	N	111.10	19.25	12'-5 5/8"	13'-9 3/8"	8908

HOL* with optional drum brake Weight of drum brake is 176 lb.

Load	Class
(TON)	ASME
40	H4+
50	H4
60	H3

Standard rail gauges are 5'-6 15/16", 6'-6 3/4", 7'-10 1/2", 8'-10 5/16", 10'-2", 11'-1 7/8", 12'-5 5/8" and 13'-9 3/8".

M2 is listed at minR.

Hoist weight calculated at Min R, with P6 motor, without drum brake.

This document is the absolute property of R&M Materials Handling, Inc. This document must not be copied without the written permission of R&M Materials Handling, Inc. The contents thereof must not be disclosed to a third party nor be used for any unauthorized purpose. Contravention will be prosecuted.

ETTPAL Design 2003-01-13 Date	ETTPAL Chd Appd	Ref Drawing	QE-M-26
SLEQDOCV Owner/Desig	TROLLEY; DOUBLE GIRDER MEDIUM, 2X6 ROPE FALLS		1-18 Folder
R&M MATERIALS HANDLING INC.	R&M MATERIALS HANDLING, INC. HOIST & CRANE PRODUCTS SPRINGFIELD, OHIO	D006657-A	Issue 4