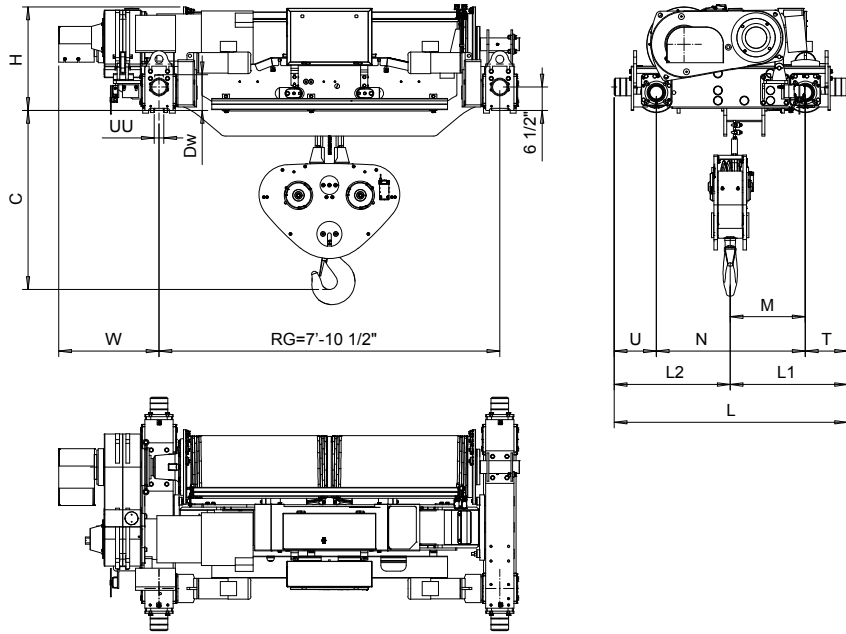


Hoist type:
SXL17...R2400

US units



Hoisting trolley type	Duties 03...06	Hoisting trolley dimensions (inch)									Rail wheel (inch)		C (inch)		Weight (lb)	
		H	M	N	L	L1	L2	T	U	W	Dw	UU*	RG24	RG24		
SXL17022	X	28 3/4"	22 13/16"	41 3/8"	64 11/16"	34 7/16"	31 1/4"	11 5/8"	11 5/8"	27 3/4"	9.84"	3 3/4"	49 5/8"	7739		
SXL17032	X	28 3/4"	20 7/8"	41 3/8"	64 11/16"	32 1/2"	32 3/16"	11 5/8"	11 5/8"	27 3/4"	9.84"	3 3/4"	48 1/2"	7981		
SXL17042	X	28 3/4"	20 15/16"	41 3/8"	64 11/16"	32 5/8"	32 1/16"	11 5/8"	11 5/8"	27 3/4"	9.84"	3 3/4"	48 1/2"	8025		
SXL17052	X	28 3/4"	20 1/4"	41 3/8"	64 11/16"	31 7/8"	32 13/16"	11 5/8"	11 5/8"	27 3/4"	9.84"	3 3/4"	51 13/16"	8554		
SXL17062	X	28 3/4"	19"	41 3/8"	64 11/16"	30 11/16"	34"	11 5/8"	11 5/8"	27 3/4"	9.84"	3 3/4"	51 13/16"	8576		
SXL17082	X	28 3/4"	17 13/16"	41 3/8"	64 11/16"	26 7/16"	35 1/4"	11 5/8"	11 5/8"	27 3/4"	9.84"	3 3/4"	56 3/4"	9524		

Weight of the service platform is not included into trolley weight. * UU based on 3 1/2" rail.

DESHPYO Design		Chd	Appd	Ref Drawing	
2011-06-17 Date		TROLLEY; DOUBLE GIRDER			
		SXL17			
Owner Dept		SXL17-R2400			
R&M MATERIALS HANDLING INC.		DA002643			
R&M MATERIALS HANDLING, INC. HOIST & CRANE PRODUCTS SPRINGFIELD, OHIO					
Rev	Explanation	Date	Revised by	Checked by	1 of 25
This document is the absolute property of R&M Materials Handling, Inc. This document must not be copied without the written permission of R&M Materials Handling, Inc. The contents thereof must not be disclosed to a third party nor be used for any unauthorized purpose. Contravention will be prosecuted.					Folder
					Issue 3