

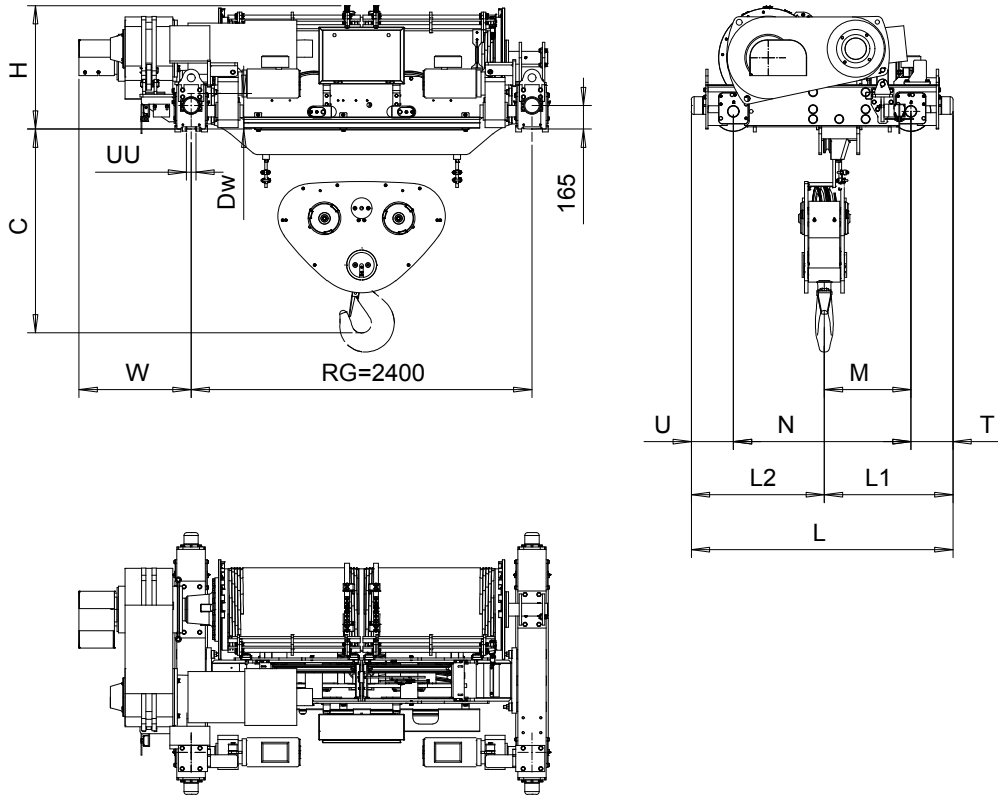
Hoist type:

SXL18 022...R2400

SXL18 032...R2400

SXL18 042...R2400

SI units



Hoisting trolley type	Duties 03...06	Hoisting trolley dimensions (mm)									Rail wheel (mm)		C (mm)		Weight (Kg)	
		H	M	N	L	L1	L2	T	U	W	Dw	UU*	RG24	RG24		
SXL18022	X	851	625	1250	1842	921	921	296	296	790	250	86	1435	4440		
SXL18032	X	851	625	1250	1842	921	921	296	296	790	250	86	1405	4540		
SXL18042	X	851	610	1250	1842	906	936	296	296	790	250	86	1405	4570		

Weight of the service platform is not included into trolley weight. * UU based on 80 mm rail.

Rev Explanation Date Revised by Checked by
 This document is the absolute property of R&M Materials Handling, Inc. This document must not be copied without the written permission of R&M Materials Handling, Inc. The contents thereof must not be disclosed to a third party nor be used for any unauthorized purpose. Contravention will be prosecuted.

DESIGNER Design 2011-06-17 Date	Chd	Appd	Ref Drawing	1:25 Folder
Owner Dept R&M MATERIALS HANDLING INC.	TROLLEY; DOUBLE GIRDER SXL18			
R&M MATERIALS HANDLING INC. HOIST & CRANE PRODUCTS SPRINGFIELD, OHIO	SXL18-R2400-022/032/042			Issue 3
	DA002690			