

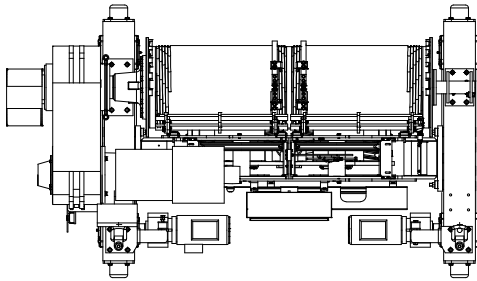
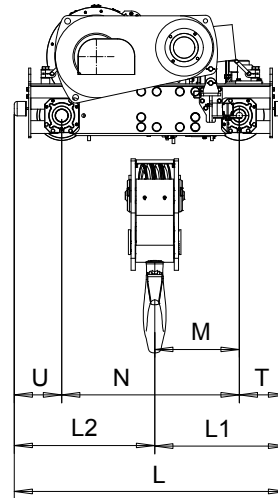
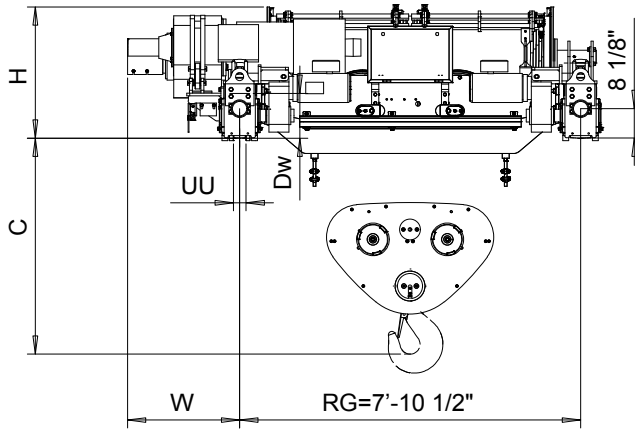
Hoist type:

SXL18 052...R2400

SXL18 062...R2400

SXL18 082...R2400

US units



Hoisting trolley type	Duties 03...06	Hoisting trolley dimensions (inch)									Rail wheel (inch)		C (inch)		Weight (lb)	
		H	M	N	L	L1	L2	T	U	W	Dw	UU*	RG24	RG24		
SXL18052	X	36 3/8"	23 7/16"	49 1/4"	75 1/2"	36 9/16"	38 15/16"	13 3/16"	13 3/16"	31 1/8"	12.40"	4 1/4"	59 7/8"	11795		
SXL18062	X	36 3/8"	22 5/8"	49 1/4"	75 1/2"	35 13/16"	39 11/16"	13 3/16"	13 3/16"	31 1/8"	12.40"	4 1/4"	59 7/8"	11883		
SXL18082	X	36 3/8"	21 1/4"	49 1/4"	75 1/2"	34 7/16"	41 1/16"	13 3/16"	13 3/16"	31 1/8"	12.40"	4 1/4"	62 1/2"	12699		

Weight of the service platform is not included into trolley weight. * UU based on 4" rail.

DESHPYMO Design		Chd	Appd	Ref Drawing	
2011-06-17 Date		TROLLEY; DOUBLE GIRDER			
		SXL18			
Owner Dept		SXL18-R2400-052/062/082			
R&M MATERIALS HANDLING INC.		DA002713			
R&M MATERIALS HANDLING, INC. HOIST & CRANE PRODUCTS SPRINGFIELD, OHIO					
Rev	Explanation	Date	Revised by	Checked by	1 of 25
This document is the absolute property of R&M Materials Handling, Inc. This document must not be copied without the written permission of R&M Materials Handling, Inc. The contents thereof must not be disclosed to a third party nor be used for any unauthorized purpose. Contravention will be prosecuted.					Folder
					Issue 3