

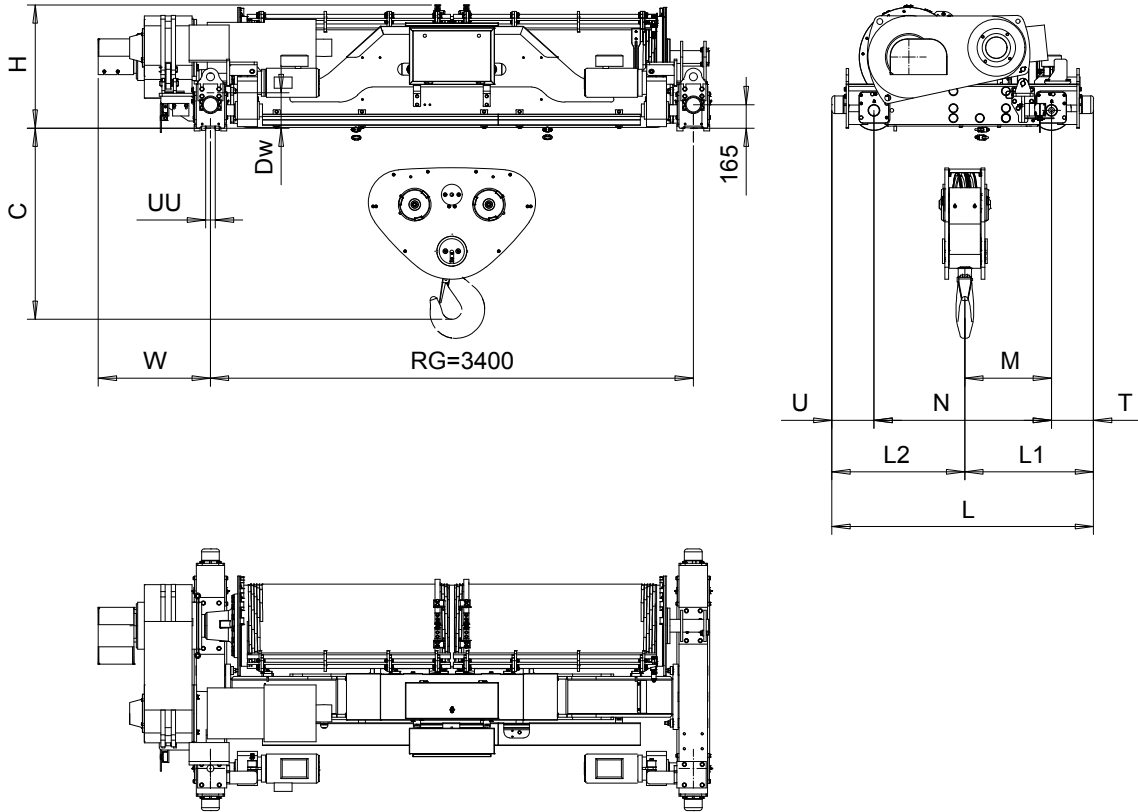
Hoist type:

SXL18 022...R3400

SXL18 032...R3400

SXL18 042...R3400

SI units



Hoisting trolley type	Duties 03...06	Hoisting trolley dimensions (mm)									Rail wheel (mm)		C (mm)		Weight (Kg)	
		H	M	N	L	L1	L2	T	U	W	Dw	UU*	RG34	RG34		
SXL18022	X	851	625	1250	1842	921	921	296	296	790	250	86	1345	5110		
SXL18032	X	851	625	1250	1842	921	921	296	296	790	250	86	1225	5200		
SXL18042	X	851	610	1250	1842	906	936	296	296	790	250	86	1225	5240		

Weight of the service platform is not included into trolley weight. * UU based on 80 mm rail.

DES/11/06-17					Chd	Appd	Ref Drawing	1:25			
2011-06-17					TROLLEY; DOUBLE GIRDER					Folder	
Date					SXL18					Issue	
Owner Dept					R&M MATERIALS HANDLING, INC.					3	
R&M MATERIALS HANDLING, INC.					HOIST & CRANE PRODUCTS					DA002709	
Date					SXL18-R3400-022/032/042					Issue	
Revised by					DA002709					3	
Checked by											
<p>This document is the absolute property of R&M Materials Handling, Inc. This document must not be copied without the written permission of R&M Materials Handling, Inc. The contents thereof must not be disclosed to a third party nor be used for any unauthorized purpose. Contravention will be prosecuted.</p>											