

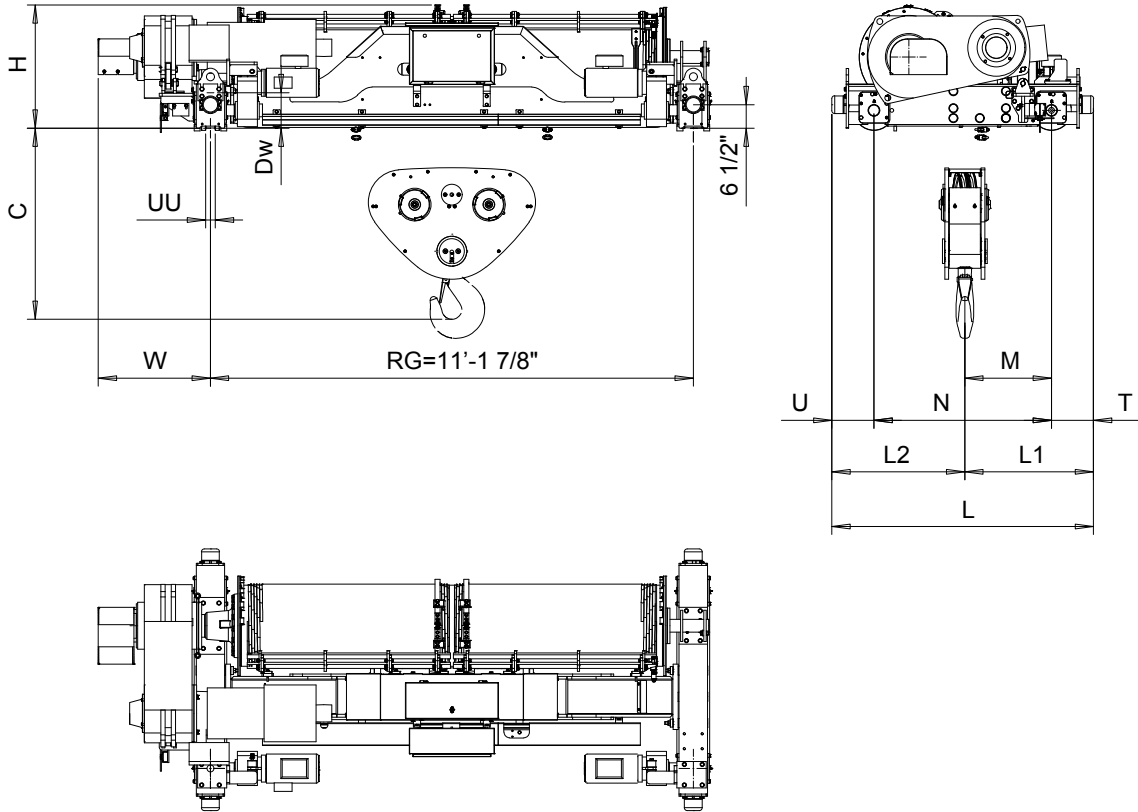
Hoist type:

SXL18 022...R3400

SXL18 032...R3400

SXL18 042...R3400

US units



| Hoisting trolley type | Duties 03...06 | Hoisting trolley dimensions (inch) | | | | | | | | | Rail wheel (inch) | | C (inch) | | Weight (lb) | |
|-----------------------|----------------|------------------------------------|---------|---------|---------|-----------|-----------|---------|---------|---------|-------------------|--------|----------|-------|-------------|--|
| | | H | M | N | L | L1 | L2 | T | U | W | Dw | UU* | RG34 | RG34 | | |
| SXL18022 | X | 33 1/2" | 24 5/8" | 49 1/4" | 72 1/2" | 36 1/4" | 36 1/4" | 11 5/8" | 11 5/8" | 31 1/8" | 9.84" | 3 3/4" | 53" | 11266 | | |
| SXL18032 | X | 33 1/2" | 24 5/8" | 49 1/4" | 72 1/2" | 36 1/4" | 36 1/4" | 11 5/8" | 11 5/8" | 31 1/8" | 9.84" | 3 3/4" | 48 1/4" | 11464 | | |
| SXL18042 | X | 33 1/2" | 24" | 49 1/4" | 72 1/2" | 35 11/16" | 36 13/16" | 11 5/8" | 11 5/8" | 31 1/8" | 9.84" | 3 3/4" | 48 1/4" | 11552 | | |

Weight of the service platform is not included into trolley weight. * UU based on 3 1/2" rail.

| | | | | | | | | |
|-----------------------------|-------------|------|------------|-------------------------|--|-------------|--|------|
| DESHPYO Design | | | | Chd | Appd | Ref Drawing | | |
| 2011-06-17 Date | | | | TROLLEY; DOUBLE GIRDER | | | | 1:25 |
| SXL18 | | | | Folder | | | | |
| R&M MATERIALS HANDLING INC. | | | | SXL18-R3400-022/032/042 | | | | |
| DA002709 | | | | Issue | | | | 3 |
| Rev | Explanation | Date | Revised by | Checked by | This document is the absolute property of R&M Materials Handling, Inc. This document must not be copied without the written permission of R&M Materials Handling, Inc. The contents thereof must not be disclosed to a third party nor be used for any unauthorized purpose. Contravention will be prosecuted. | | | |