

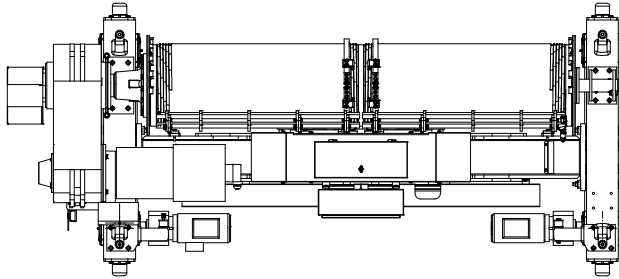
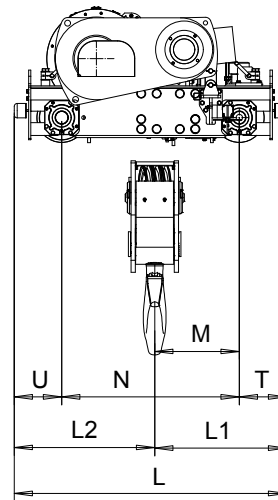
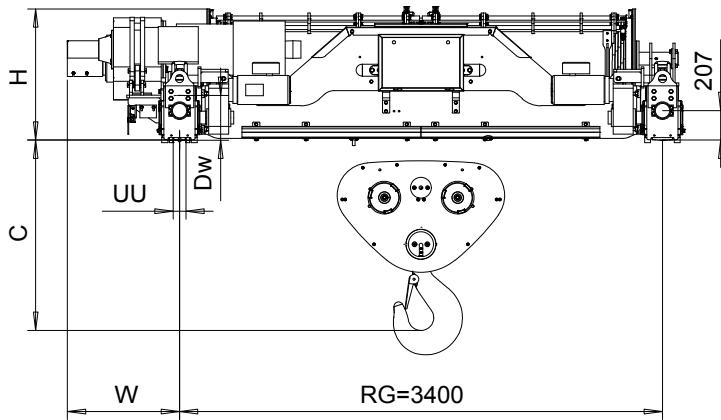
Hoist type:

SXL18 052...R3400

SXL18 062...R3400

SXL18 082...R3400

SI units



Hoisting trolley type	Duties 03...06	Hoisting trolley dimensions (mm)									Rail wheel (mm)		C (mm)		Weight (Kg)	
		H	M	N	L	L1	L2	T	U	W	Dw	UU*	RG34	RG34		
SXL18052	X	923	595	1250	1917	929	989	334	334	790	315	106	1340	6150		
SXL18062	X	923	575	1250	1917	909	1009	334	334	790	315	106	1340	6190		
SXL18082	X	923	540	1250	1917	874	1044	334	334	790	315	106	1406	6560		

Weight of the service platform is not included into trolley weight. \* UU based on 100 mm rail.

Rev Explanation Date Revised by Checked by  
 This document is the absolute property of R&M Materials Handling, Inc. This document must not be copied without the written permission of R&M Materials Handling, Inc. The contents thereof must not be disclosed to a third party nor be used for any unauthorized purpose. Contravention will be prosecuted.

DESIGNER Design 2011-06-17 Date	Chd	Appd	Ref Drawing	1:25 Folder
Owner Dept R&M MATERIALS HANDLING INC.	TROLLEY; DOUBLE GIRDER SXL18			
R&M MATERIALS HANDLING, INC. HOIST & CRANE PRODUCTS SPRINGFIELD, OHIO	SXL18-R3400-052/062/082			Issue 3
	DA002722			