

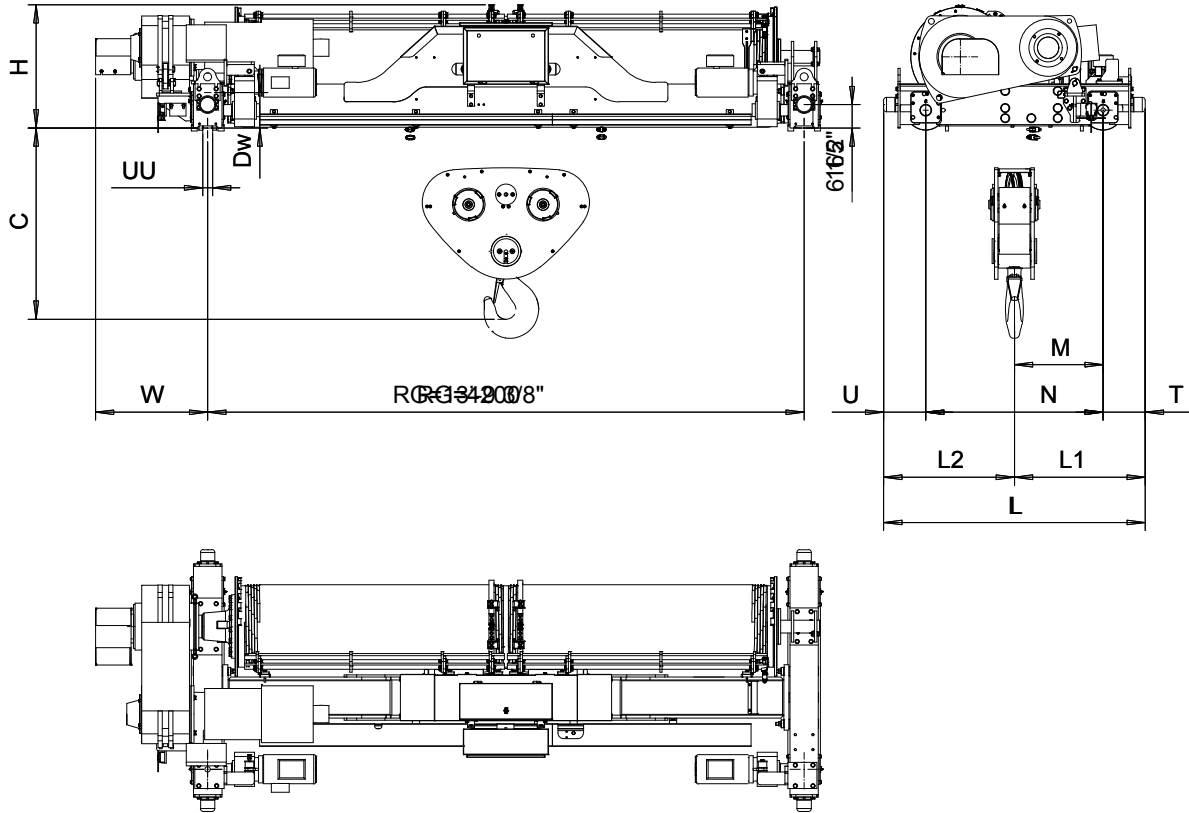
Hoist type:

SXL18 022...R4200

SXL18 032...R4200

SXL18 042...R4200

SI units



Hoisting trolley type	Duties 03...06	Hoisting trolley dimensions (mm)									Rail wheel (mm)		C (mm)		Weight (Kg)	
		H	M	N	L	L1	L2	T	U	W	Dw	UU*	RG42	RG42		
SXL18022	X	851	625	1250	1842	921	921	296	296	790	250	86	1345	5640		
SXL18032	X	851	625	1250	1842	921	921	296	296	790	250	86	1345	5740		
SXL18042	X	851	610	1250	1842	906	936	296	296	790	250	86	1225	5770		

Weight of the service platform is not included into trolley weight.* UU based on 80 mm rail.

DESIGN	2011-06-17	Chd	Appd	Ref Drawing	
Design	Date	TROLLEY; DOUBLE GIRDER			
Owner Dept	R&M MATERIALS HANDLING INC.	SXL18			
	R&M MATERIALS HANDLING, INC. HOIST & CRANE PRODUCTS SPRINGFIELD, OHIO	SXL18-R4200-022/032/042			
		DA002710			
Rev	Explanation	Date	Revised by	Checked by	1:25 Folder Issue 3
<p>This document is the absolute property of R&M Materials Handling, Inc. This document must not be copied without the written permission of R&M Materials Handling, Inc. The contents thereof must not be disclosed to a third party nor be used for any unauthorized purpose. Contravention will be prosecuted.</p>					