

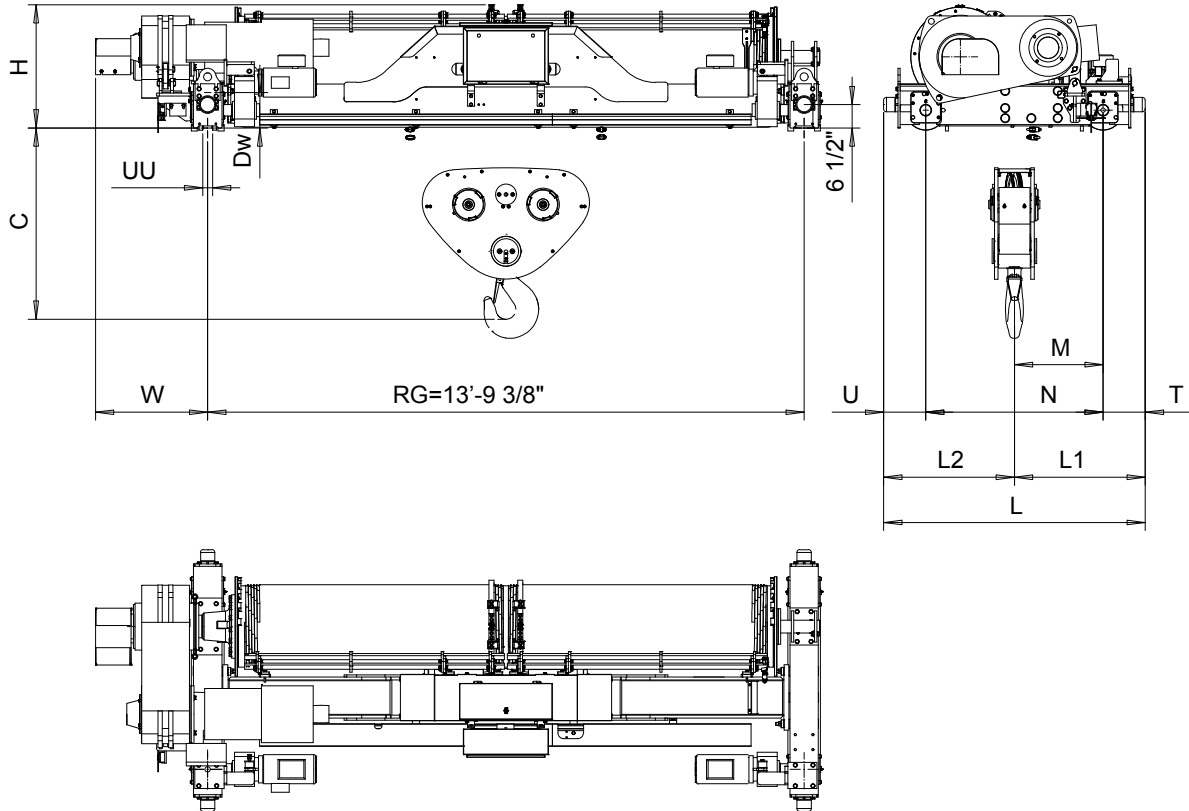
Hoist type:

SXL18 022...R4200

SXL18 032...R4200

SXL18 042...R4200

US units



Hoisting trolley type	Duties 03...06	Hoisting trolley dimensions (inch)									Rail wheel (inch)		C (inch)		Weight (lb)	
		H	M	N	L	L1	L2	T	U	W	Dw	UU*	RG42	RG42		
SXL18022	X	33 1/2"	24 5/8"	49 1/4"	72 1/2"	36 1/4"	36 1/4"	11 5/8"	11 5/8"	31 1/8"	9.84"	3 3/4"	53"	12434		
SXL18032	X	33 1/2"	24 5/8"	49 1/4"	72 1/2"	36 1/4"	36 1/4"	11 5/8"	11 5/8"	31 1/8"	9.84"	3 3/4"	53"	12655		
SXL18042	X	33 1/2"	24"	49 1/4"	72 1/2"	35 11/16"	36 13/16"	11 5/8"	11 5/8"	31 1/8"	9.84"	3 3/4"	48 1/4"	12721		

Weight of the service platform is not included into trolley weight. * UU based on 3 1/2" rail.

DESHPYO Design					Chd	Appd	Ref Drawing	
2011-06-17 Date					TROLLEY; DOUBLE GIRDER			
Owner Dept					SXL18			
R&M MATERIALS HANDLING INC.					SXL18-R4200-022/032/042			
R&M MATERIALS HANDLING, INC. HOIST & CRANE PRODUCTS SPRINGFIELD, OHIO					DA002710			
Rev	Explanation	Date	Revised by	Checked by	1:25			Folder
This document is the absolute property of R&M Materials Handling, Inc. This document must not be copied without the written permission of R&M Materials Handling, Inc. The contents thereof must not be disclosed to a third party nor be used for any unauthorized purpose. Contravention will be prosecuted.					Issue			3