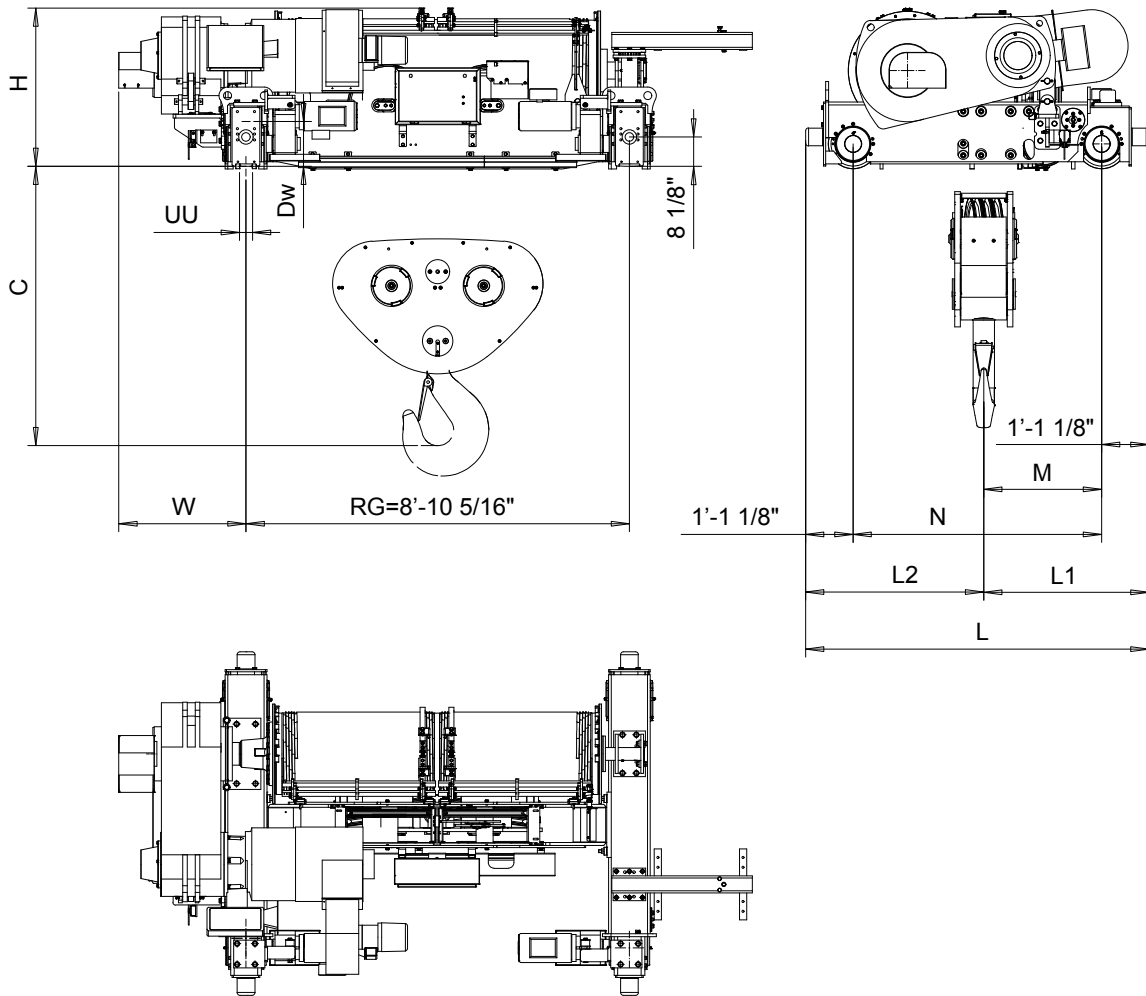


Hoist type:

SXL19 062...R2700

SXL19 082...R2700

US units



Trolley	Duty 03...06	Hoisting trolley dimensions (inch)						Rail wheel (inch)		C (inch)	Weight (lb)	
		H	M	N	L	L1	L2	W	Dw	UU*	(27)	(27)
SXL19062	X	43 13/16"	32 11/16"	68 7/8"	95 3/16"	45 13/16"	49 3/8"	35 5/16"	12.40"	4 1/4"	78"	22774
SXL19082	X	43 13/16"	31 3/16"	68 7/8"	95 3/16"	44 5/16"	50 7/8"	35 5/16"	12.40"	4 1/4"	81 5/16"	24075

Weight of the service platform is not included into the trolley weight. *UU based on 4" rail.

DESHPYO Design 2011-06-17 Date				Chd	Appd	Ref Drawing	
TROLLEY; DOUBLE GIRDER				1:25			
SXL19				Folder			
R&M MATERIALS HANDLING INC.				Issue			
R&M MATERIALS HANDLING, INC. HOISTS & CRANE PRODUCTS SPRINGFIELD, OHIO				3			
DA002757							

Rev Explanation Date Revised by Checked by

This document is the absolute property of R&M Materials Handling, Inc. This document must not be copied without the written permission of R&M Materials Handling, Inc. The contents thereof must not be disclosed to a third party nor be used for any unauthorized purpose. Contravention will be prosecuted.