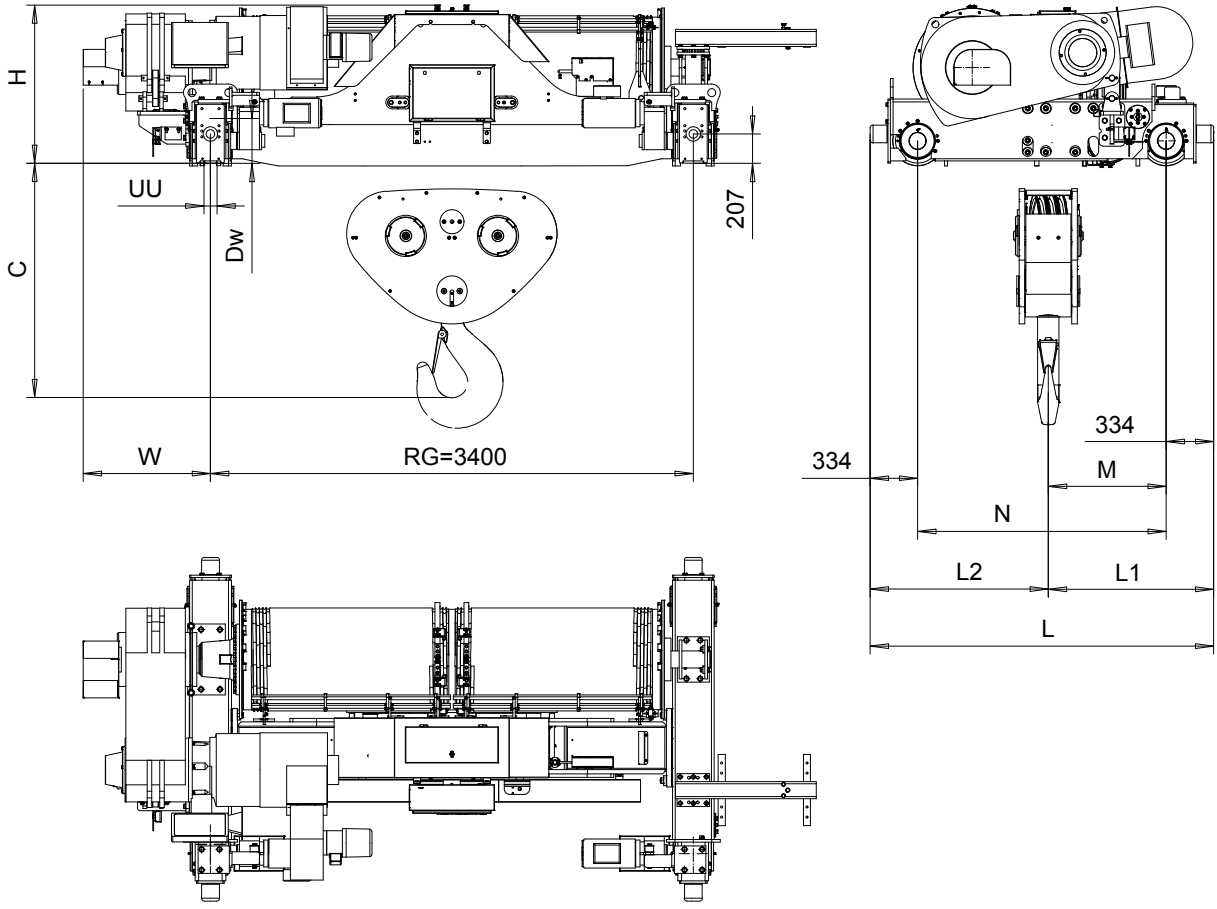


Hoist type:

SXL19 062...R3400

SXL19 082...R3400

SI units



Trolley	Duty 03..06	Hoisting trolley dimensions (mm)						Rail wheel (mm)		C (mm)	Weight (Kg)	
		H	M	N	L	L1	L2	Dw	UU*	(34)	(34)	
SXL19062	X	1113	830	1750	2417	1164	1254	896	315	106	1650	10990
SXL19082	X	1113	792	1750	2417	1126	1292	896	315	106	1730	11580

Weight of the service platform is not included into the trolley weight. *UU based on 100 mm rail.

DESIMYO Design 2011-06-17 Date					Chd	Appd	Ref Drawing		
Owner Dept R&M MATERIALS HANDLING INC.					TROLLEY; DOUBLE GIRDER SXL19				1:25
R&M MATERIALS HANDLING, INC. HOIST & CRANE PRODUCTS SPRINGFIELD, OHIO					SXL19-R3400-062/082				Folder
DA002769									Issue 3

Rev Explanation Date Revised by Checked by

This document is the absolute property of R&M Materials Handling, Inc. This document must not be copied without the written permission of R&M Materials Handling, Inc. The contents thereof must not be disclosed to a third party nor be used for any unauthorized purpose. Contravention will be prosecuted.