

Hoist type:

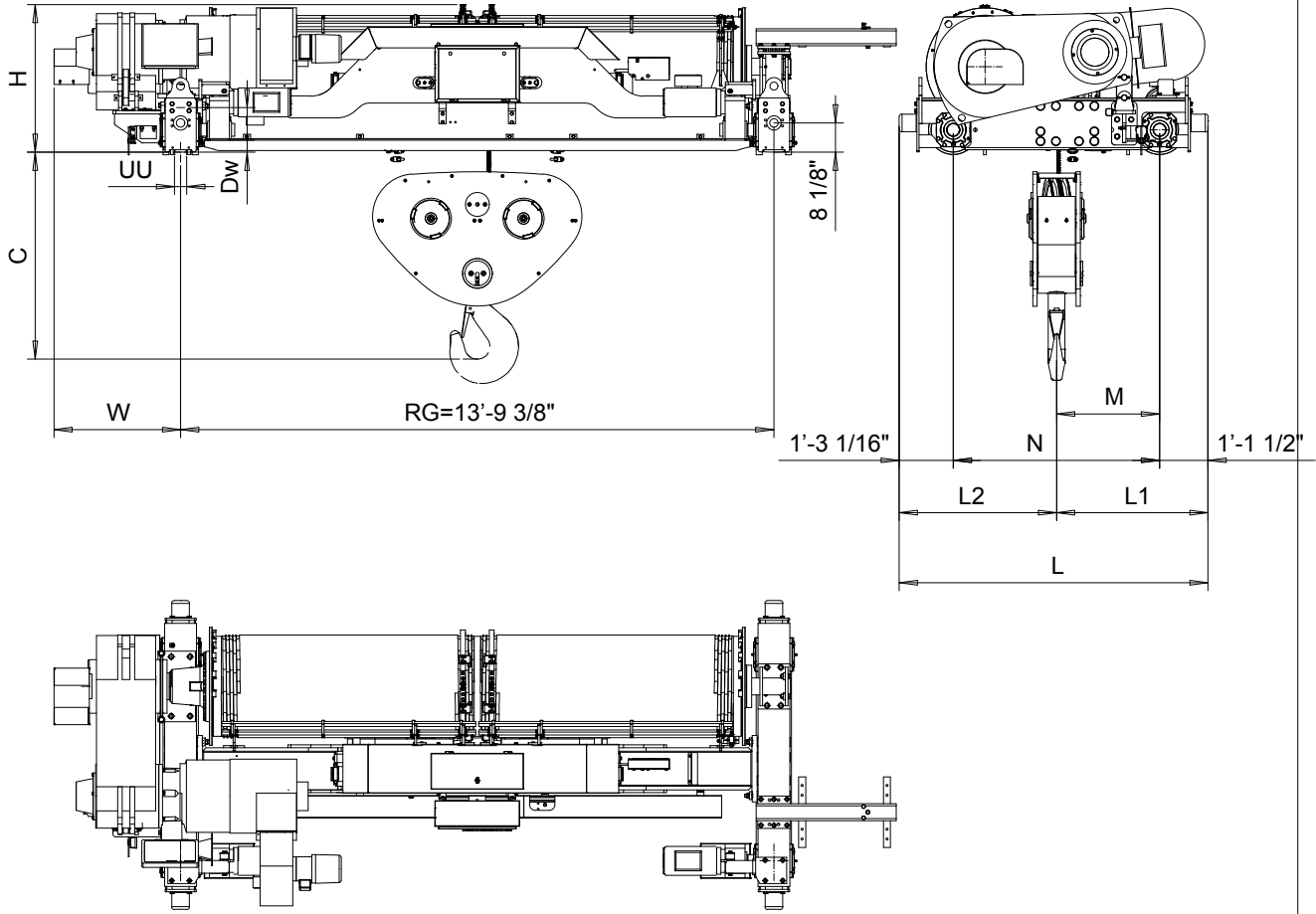
SXL19 022...R4200

SXL19 042...R4200

SXL19 032...R4200

SXL19 052...R4200

US units



Trolley	Duty 03...06	Hoisting trolley dimensions (inch)							Rail wheel (inch)		C (inch)	Weight (lb)
		H	M	N	L	L1	L2	W	Dw	UU*	(42)	(42)
SXL19022	X	41 3/16"	31 5/16"	57 1/2"	86 1/16"	44 5/8"	41 7/16"	35 5/16"	12.40"	4 1/4"	62 13/16"	19952
SXL19032	X	41 3/16"	30 1/2"	57 1/2"	86 1/16"	43 7/8"	42 3/16"	35 5/16"	12.40"	4 1/4"	62 13/16"	20283
SXL19042	X	41 3/16"	29"	57 1/2"	86 1/16"	42 1/4"	43 13/16"	35 5/16"	12.40"	4 1/4"	58 1/8"	21098
SXL19052	X	41 3/16"	28 9/16"	57 1/2"	86 1/16"	43 3/16"	43 7/8"	35 5/16"	12.40"	4 1/4"	63"	21870

Weight of the service platform is not included into the trolley weight. *UU based on 4" rail.

DESHPYO Design		Chd	Appd	Ref Drawing	
2011-06-17 Date		TROLLEY; DOUBLE GIRDER			
		SXL19			
Owner Dept		SXL19-R4200-022/032/042/052			
R&M MATERIALS HANDLING INC.		DA002752			
R&M MATERIALS HANDLING, INC. HOIST & CRANE PRODUCTS SPRINGFIELD, OHIO					
Rev	Explanation	Date	Revised by	Checked by	1:25 Folder Issue 3
This document is the absolute property of R&M Materials Handling, Inc. This document must not be copied without the written permission of R&M Materials Handling, Inc. The contents thereof must not be disclosed to a third party nor be used for any unauthorized purpose. Contravention will be prosecuted.					