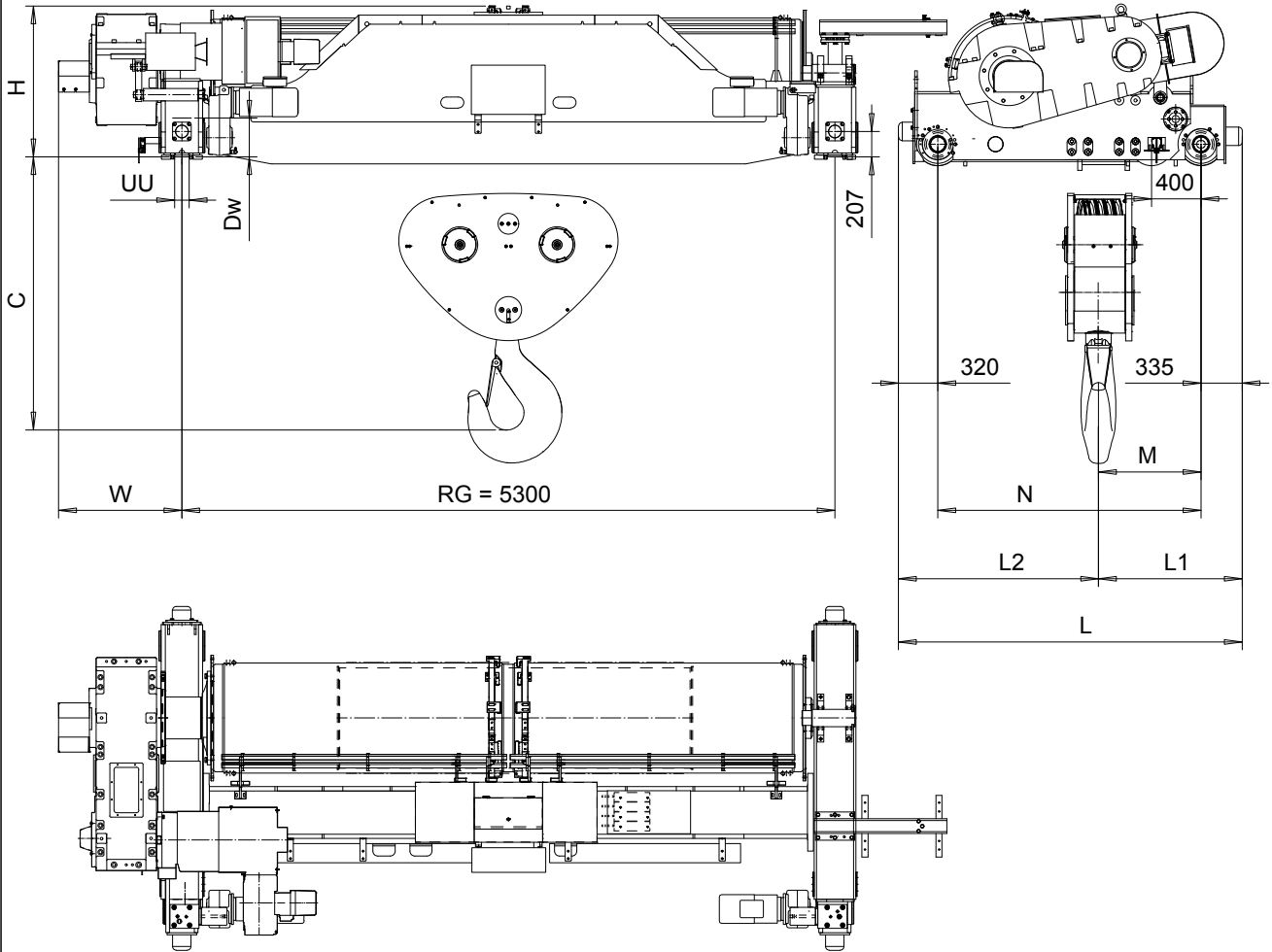


Hoist type:  
SXL20...R5300

SI units

6-WHEEL TROLLEY



Trolley	Duty	Hoisting trolley dimensions (mm)							Rail wheel (mm)		C (mm)	Weight (Kg)
		H	M	N	L	L1	L2	W	Dw	UU*	(53)	(53)
SXL20022	X	1250	920	2135	2790	1255	1535	1000	315	106	2185	18850
SXL20032	X	1250	920	2135	2790	1255	1535	1000	315	106	2145	19150
SXL20042	X	1250	890	2135	2790	1225	1565	1000	315	106	2010	19660
SXL20052	X	1250	880	2135	2790	1215	1575	1000	315	106	2245	20140
SXL20062	X	1250	860	2135	2790	1195	1595	1000	315	126	2105	20670
SXL20082	X	1250	830	2135	2790	1165	1625	1000	315	126	2215	21450

Weight of the service platform is not included into the trolley weight. \*UU based on 100 mm or 120 mm rail.

DES/11/06-17					Chd	Appd	Ref Drawing			
2011-06-17					TROLLEY; DOUBLE GIRDER					1:27
Date					SXL20					
Owner Dept					SXL20-R5300					Folder
R&M MATERIALS HANDLING INC.					DA003432					
R&M MATERIALS HANDLING, INC. HOIST & CRANE PRODUCTS SPRINGFIELD, OHIO										Issue
										1

This document is the absolute property of R&M Materials Handling, Inc. This document must not be copied without the written permission of R&M Materials Handling, Inc. The contents thereof must not be disclosed to a third party nor be used for any unauthorized purpose. Contravention will be prosecuted.