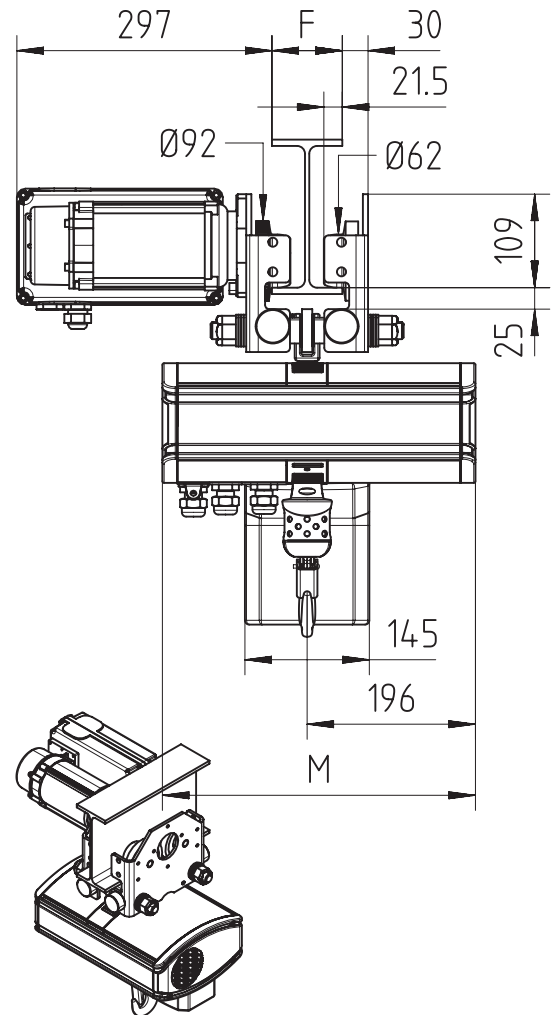
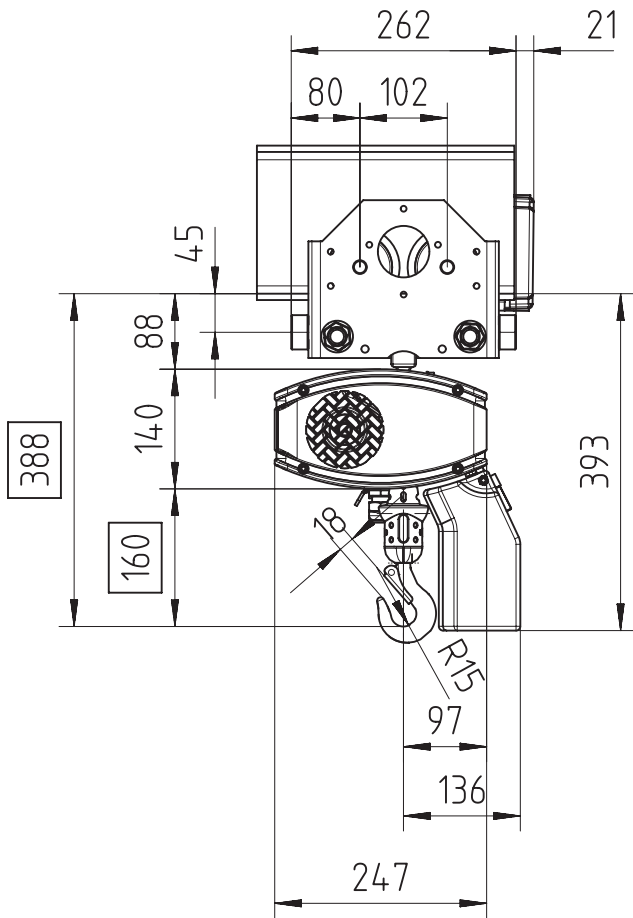


Fixed to two-speed travel trolley TMU1 - 1 Fall (perpendicular version)

Max 250 Kg



$55 < F < 310$

Note: For hoisting speed 16 m/min and higher, add 63 mm to dimension 388 and 160.

Chain Size	Max load Kg	Chain bag capacity m	Weight per meter Kg/m	Estimated unit weight w/o chain Kg		
				LK	GLS	DB
4x11	250	8	0.37	47.7	49.5	49.8
Dimension M in mm				365	454	417

GLS: Gear Limit Switch
DB : Double Brake