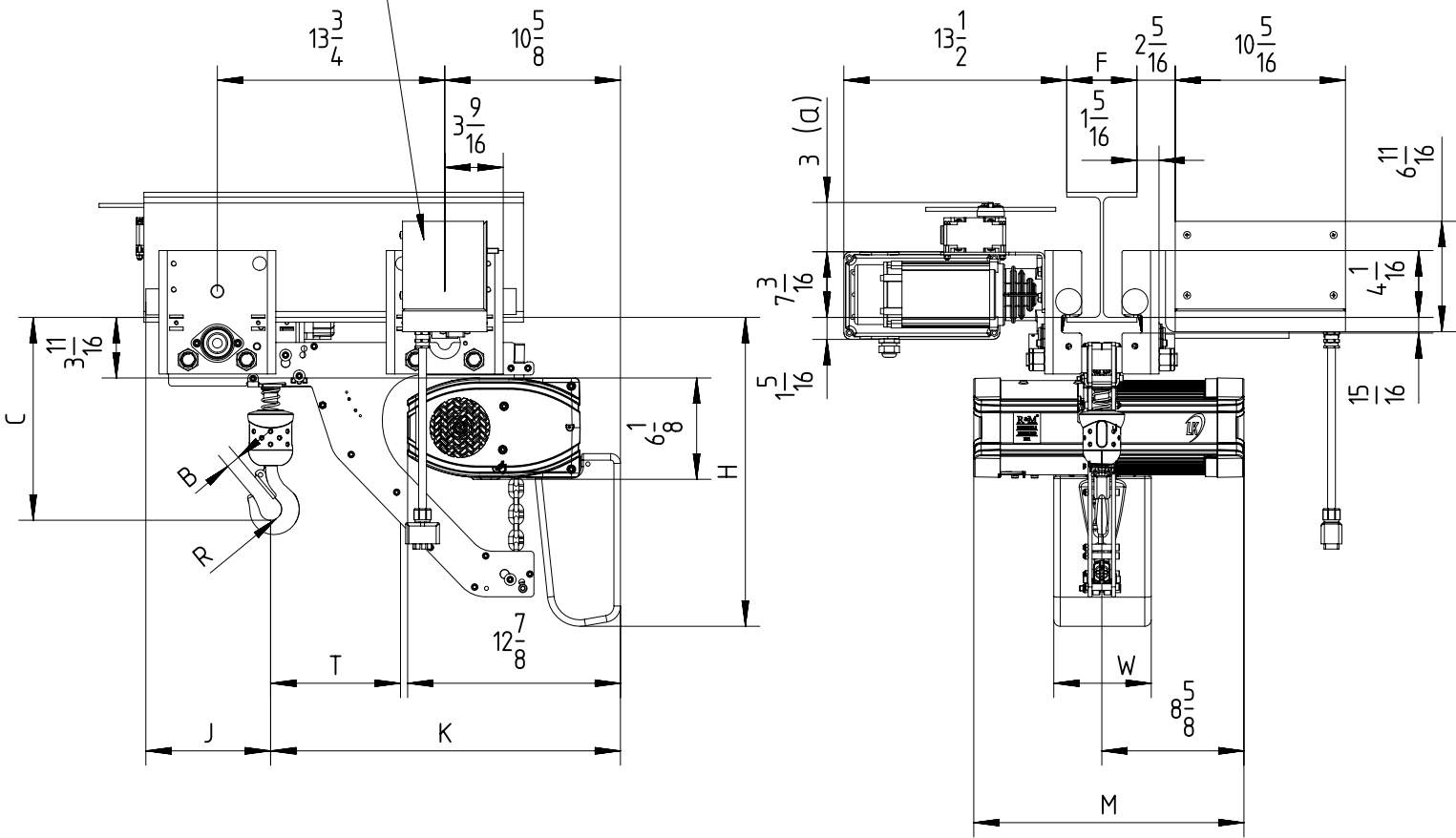


Fixed to electric travel trolley max 0.5 TON (perpendicular version)

(b) Auto-transformer



$$2\frac{11}{16} < F < 12\frac{3}{16}$$

(a) Note: Trolley limit switch is optional.

(b) If the voltage is less than 380V or more than 480V, the trolley motor needs an autotransformer as drawn.

Chain Size (mm)	Max load (TON)	Falls	Chain bag capacity (ft)	Dimensions (inch)										Weight of chain (lb/ft)	Estimated weight of hoist incl. trolley w/o chain (lb)		
				B	C	T	R	J	K	H	W	M			LK	GLS	DB
												LK	DB/GLS				
5X14	1/2	1	19	7 7/8	12 1/4	7 3/4	5 8/8	7 1/2	21 1/8	18 3/4	5 7/8	16 3/8	21 5/8	0.38	172	181	185
			52							24 1/4							
			82							27							

GLS: Gear Limit Switch
DB: Double Brake

R&M reserves the right to alter or amend the above information without notice.

DISCLOSED WITHOUT PRIOR WRITTEN CONSENT OF THE COMPANY. ANY COPIES OF THIS DOCUMENT MADE BY ANY METHOD MUST ALSO INCLUDE A COPY OF THIS LEGEND.