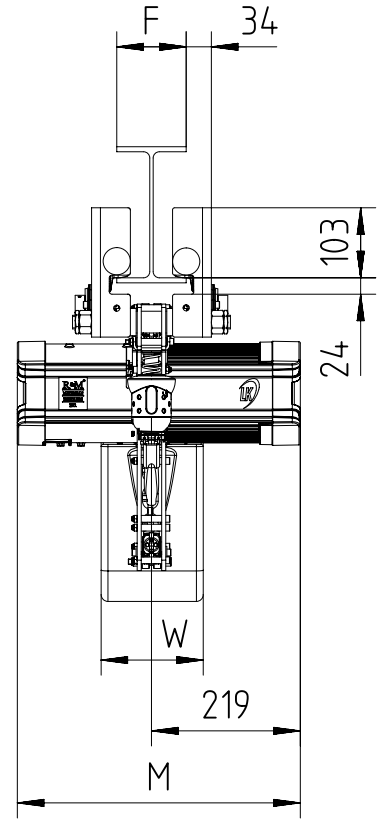
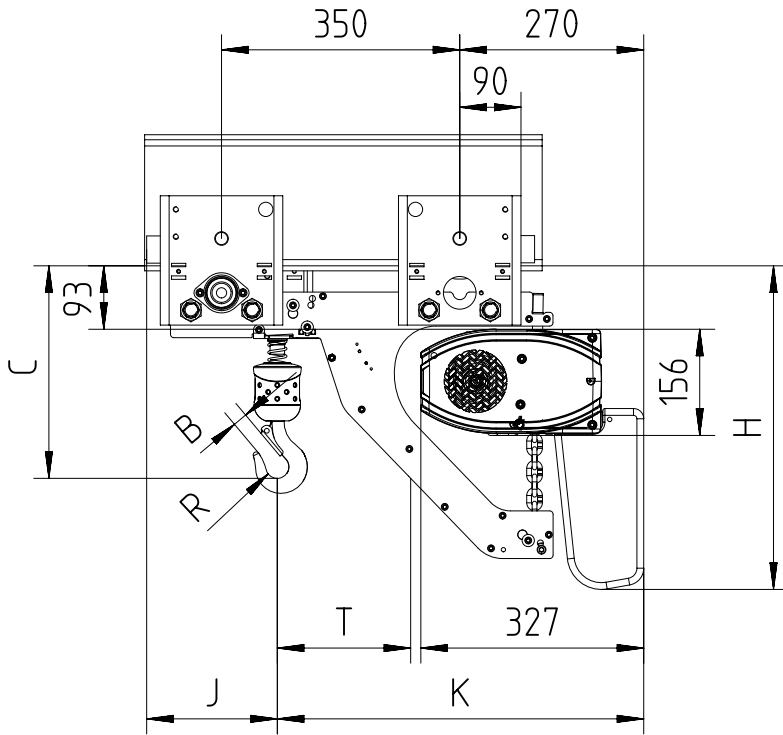


Push trolley max 630 kg (perpendicular version)



68 < F < 310

Chain Size (mm)	Max load (kg)	Falls	Chain bag capacity (m)	Dimensions (mm)										Weight of chain (kg/m)	Estimated weight of hoist incl. trolley w/o chain (kg)		
				B	C	T	R	J	K	H	W	M			LK	GLS	DB
												LK	DB/GLS				
5X14	630	1	6	21	312	196	17	192	538	475	150	416	548	0.57	53	57	59
			16							616							
			25							686							

GLS: Gear Limit Switch
DB : Double Brake

R&M reserves the right to alter or amend the above information without notice.

DISCLOSED WITHOUT PRIOR WRITTEN CONSENT OF THE COMPANY . ANY COPIES OF THIS DOCUMENT MADE BY ANY METHOD MUST ALSO INCLUDE A COPY OF THIS LEGEND.

55115271
55115271-DRW1
28/02/2018