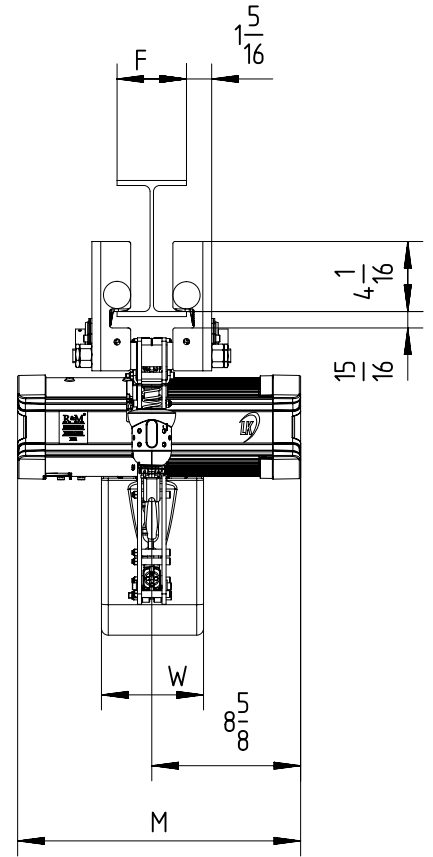
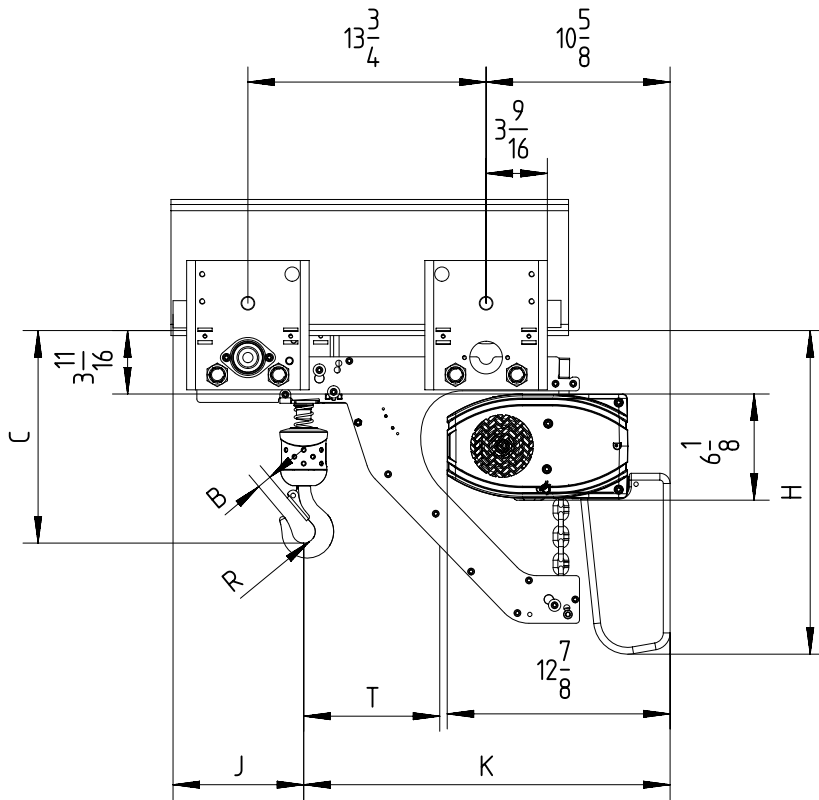


Push trolley max 0.5 TON (perpendicular version)



$$2\frac{11}{16} < F < 12\frac{3}{16}$$

Chain Size (mm)	Max load (TON)	Falls	Chain bag capacity (ft)	Dimensions (inch)										Weight of chain (lb/ft)	Estimated weight of hoist incl. trolley w/o chain (lb)		
				B	C	T	R	J	K	H	W	M			LK	GLS	DB
												LK	DB/GLS				
5X14	1/2	1	19	7/8	12 1/4	7 3/4	5/8	7 1/2	21 1/8	18 3/4	5 7/8	16 3/8	21 5/8	0.38	117	126	130
			52							24 1/4							
			82							27							

GLS: Gear Limit Switch  
DB : Double Brake

R&M reserves the right to alter or amend the above information without notice.

DISCLOSED WITHOUT PRIOR WRITTEN CONSENT OF THE COMPANY . ANY COPIES OF THIS DOCUMENT MADE BY ANY METHOD MUST ALSO INCLUDE A COPY OF THIS LEGEND.