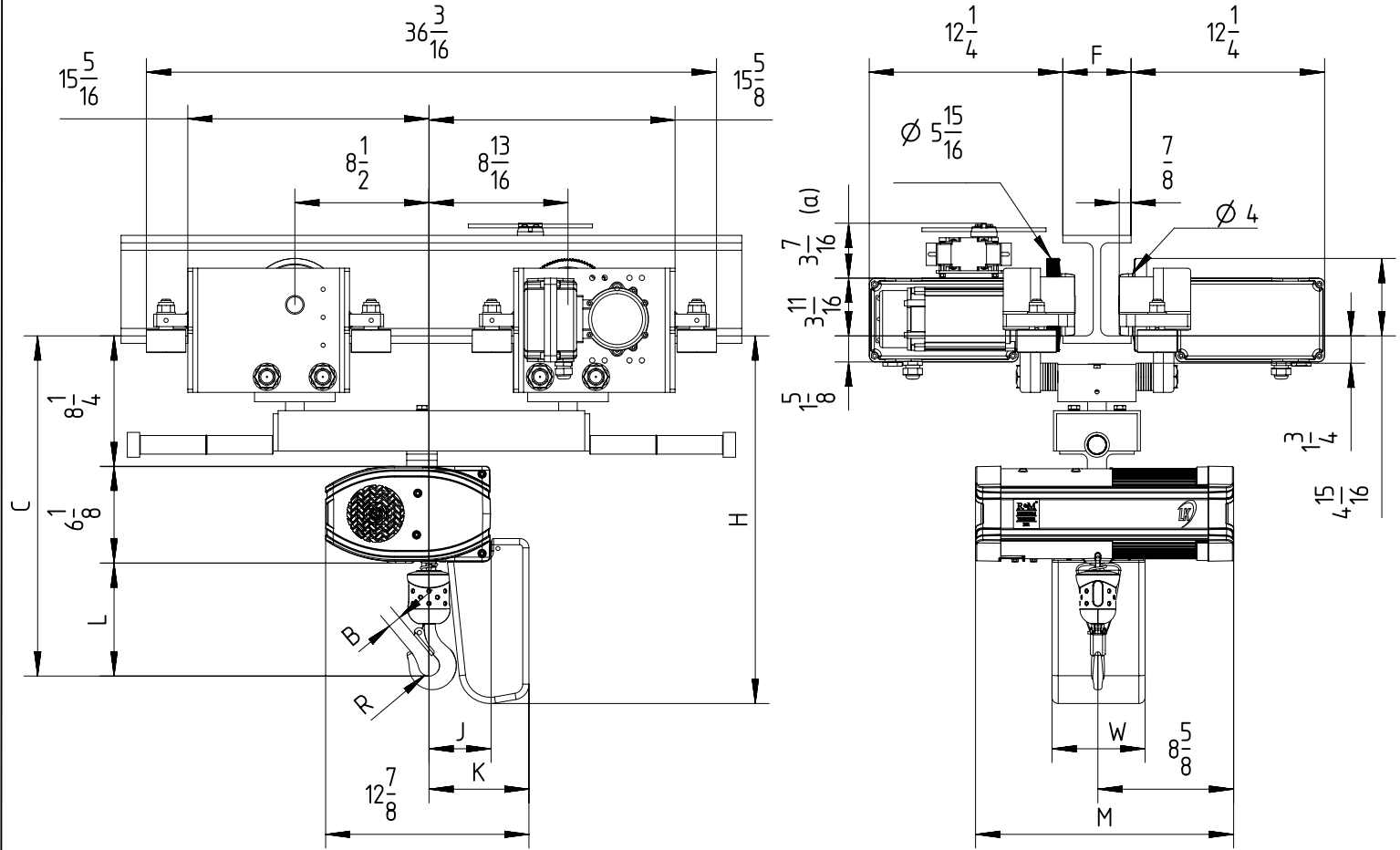


With electric travel swivelling trolley max 0.5 TON (perpendicular version)



$$4 < F < 12\frac{1}{4}$$

(a) Note: Trolley limit switch is optional.
 Note: Mini. radius of curve for trolley 0.5 TON is 2.62ft.

Chain Size (mm)	Max load (TON)	Falls	Chain bag capacity (ft)	Dimensions (inch)											Weight of chain (lb/ft)	Estimated weight of hoist incl. trolley w/o chain (lb)			
				B	C	L	R	J	K	H	W	M		LK		LK Inverter	GLS	DB	
												LK	LK Inverter/DB/GLS						
5X14	1/2	1	19	7/8	21 5/8	7 1/8	5/8	4	6 3/8	23 1/4	5 7/8	16 3/8	21 5/8	0.38	269	289	278	282	
			52							25 7/8									
			82							30 5/8									

GLS: Gear Limit Switch
 DB : Double Brake

R&M reserves the right to alter or amend the above information without notice.

DISCLOSED WITHOUT PRIOR WRITTEN CONSENT OF THE COMPANY . ANY COPIES OF THIS DOCUMENT MADE BY ANY METHOD MUST ALSO INCLUDE A COPY OF THIS LEGEND.