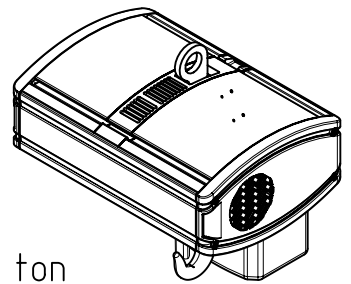
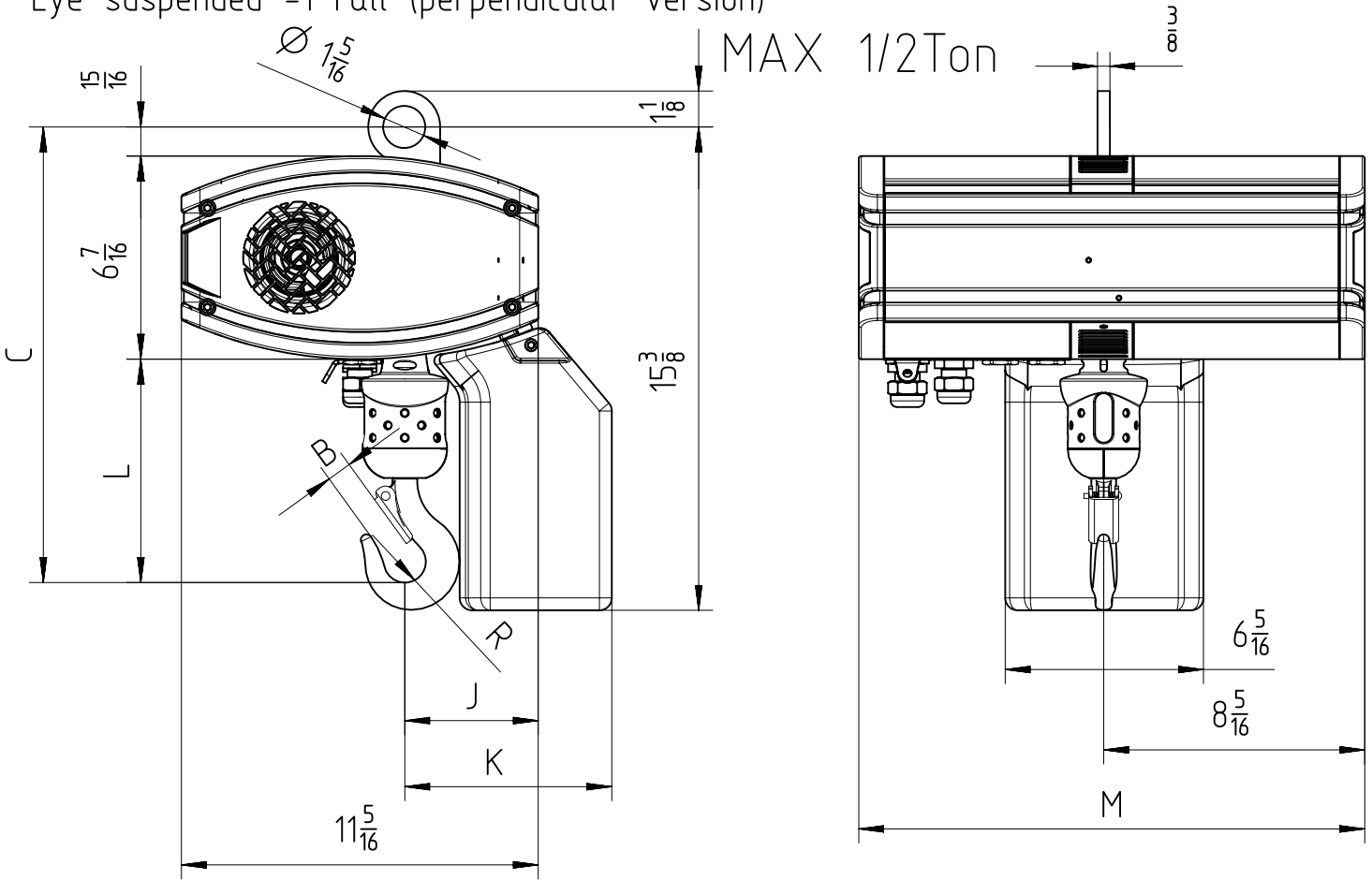


Eye suspended -1 Fall (perpendicular version)



Note: For hoisting speed 63 ft/min or higher, maximum load is 1/4 ton and chain size is 4x11, add 2 1/2 inches to dimension C and L.

Chain Size	Max load Ton	Chain bag capacity ft	Dimensions in inches						Chain weight per foot lb/ft	Estimated Unit weight w/o chain lb			
			B	C	L	R	J	K		LK	LK Inverter	GLS	DB
5x14	1/2	26.2	13/16	14 1/2	7 1/16	11/16	4 3/16	6 9/16	0.4	65.5	74.1	70.3	67.8
4x11	1/4	39.4	3/4	13 9/16	6 1/8	9/16	4 5/16	6 5/8	0.24				
Dimension M in inches										16 1/16	20 7/8	19 5/8	17 1/4

GLS: Gear Limit Switch
DB : Double Brake