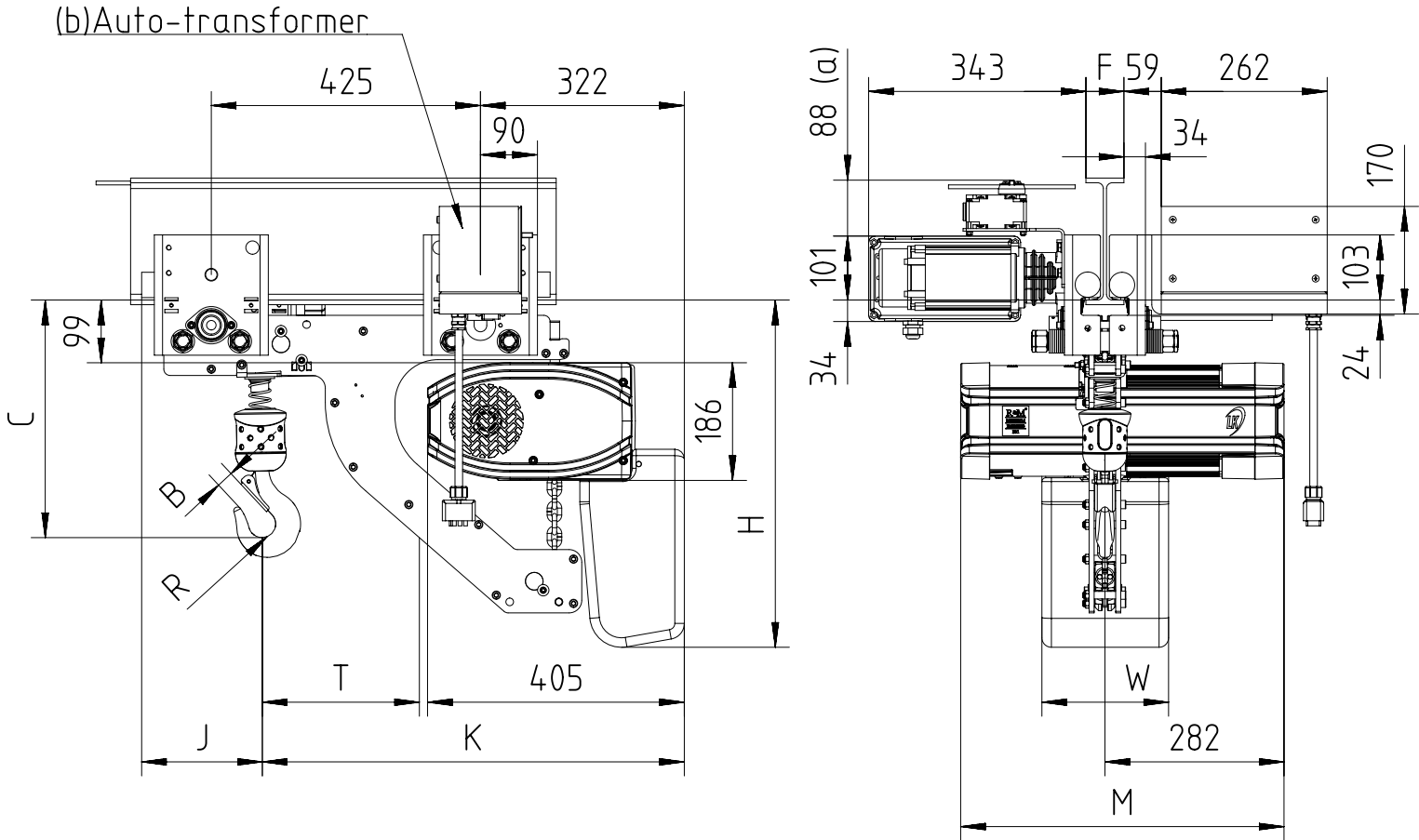


Fixed to electric travel trolley max 2000kg (perpendicular version)



$68 < F < 310$

(a) Note: Trolley limit switch is optional.

(b) If the voltage is less than 380V or more than 480V, the trolley motor needs an autotransformer as drawn.

Chain Size (mm)	Max load (kg)	Falls	Chain bag capacity (m)	Dimensions (mm)										Weight of chain (kg/m)	Estimated weight of hoist incl. trolley w/o chain (kg)		
				B	C	T	R	J	K	H	W	M			LK	GLS	DB
												LK	DB/GLS				
7X20	1000	1	6	27	375	248	21	190	667	548	200	510	641	1.1	102	104	111
			16							689							
			30							759							
	2000	2	6 (*)	33	444	295	24	223	634	548	200	510	641	1.1	106	108	115
			16 (*)							689							
			30 (*)							759							

GLS: Gear Limit Switch  
DB : Double Brake

(\*) In case of 2-fall hoist, available lifting height is half of the chain bag maximum capacity