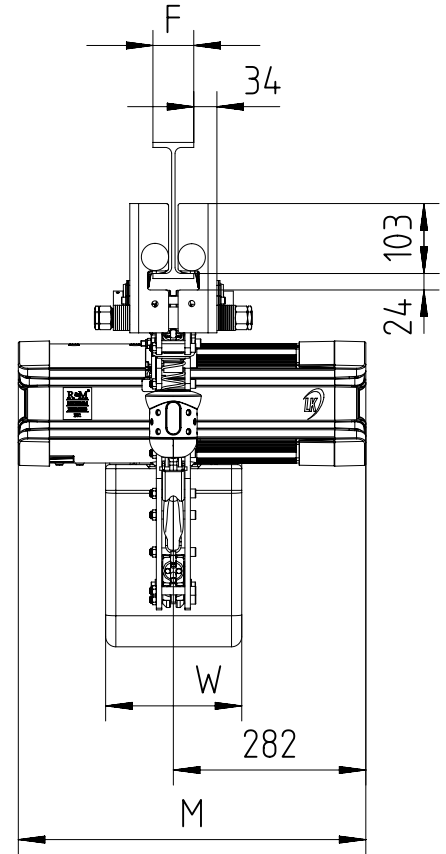
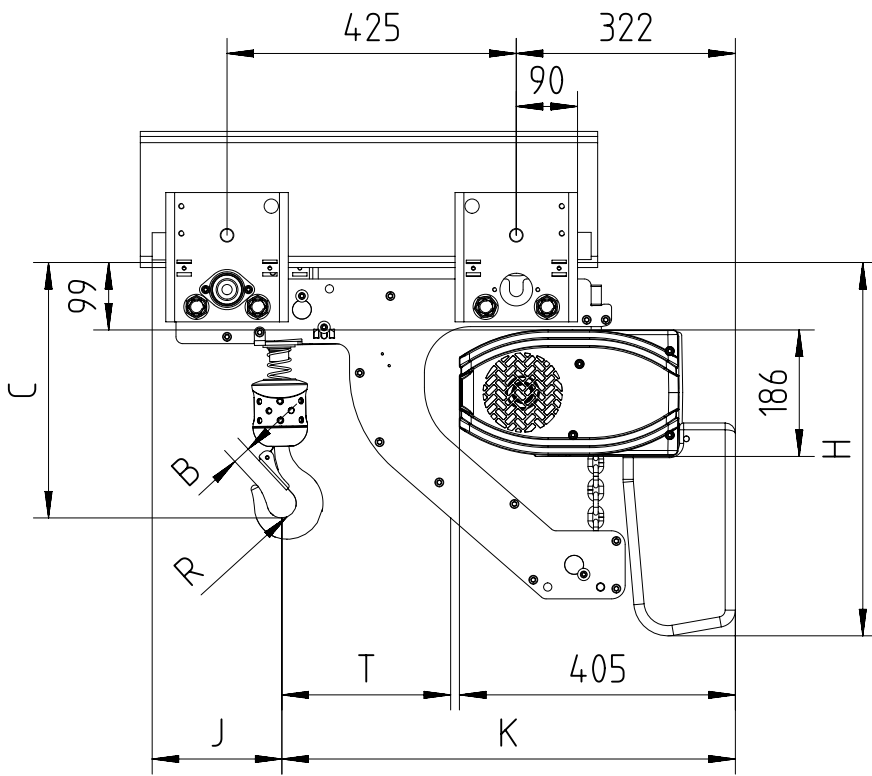


Push trolley max 2000kg (perpendicular version)



68 < F < 310

| Chain Size (mm) | Max load (kg) | Falls | Chain bag capacity (m) | Dimensions (mm) |     |     |    |     |     |     |     |     |        | Weight of chain (kg/m) | Estimated weight of hoist incl. trolley w/o chain (kg) |     |    |
|-----------------|---------------|-------|------------------------|-----------------|-----|-----|----|-----|-----|-----|-----|-----|--------|------------------------|--|-----|----|
|                 |               |       |                        | B               | C   | T   | R  | J   | K   | H   | W   | M   |        |                        | LK   | GLS | DB |
|                 |               |       |                        |                 |     |     |    |     |     |     |     | LK  | DB/GLS |                        |  |     |    |
| 7X20            | 1000          | 1     | 6                      | 27              | 375 | 248 | 21 | 190 | 667 | 548 | 200 | 510 | 641    | 1.1                    | 74   | 76  | 83 |
|                 |               |       | 16                     |                 |     |     |    |     |     | 689 |     |     |        |                        |  |     |    |
|                 |               |       | 30                     |                 |     |     |    |     |     | 759 |     |     |        |                        |  |     |    |
|                 | 2000          | 2     | 6 (*)                  | 33              | 444 | 295 | 24 | 223 | 634 | 548 | 200 | 510 | 641    | 1.1                    | 78   | 80  | 87 |
|                 |               |       | 16 (*)                 |                 |     |     |    |     |     | 689 |     |     |        |                        |  |     |    |
|                 |               |       | 30 (*)                 |                 |     |     |    |     |     | 759 |     |     |        |                        |  |     |    |

GLS: Gear Limit Switch  
DB : Double Brake

(\*) In case of 2-fall hoist, available lifting height is half of the chain bag maximum capacity