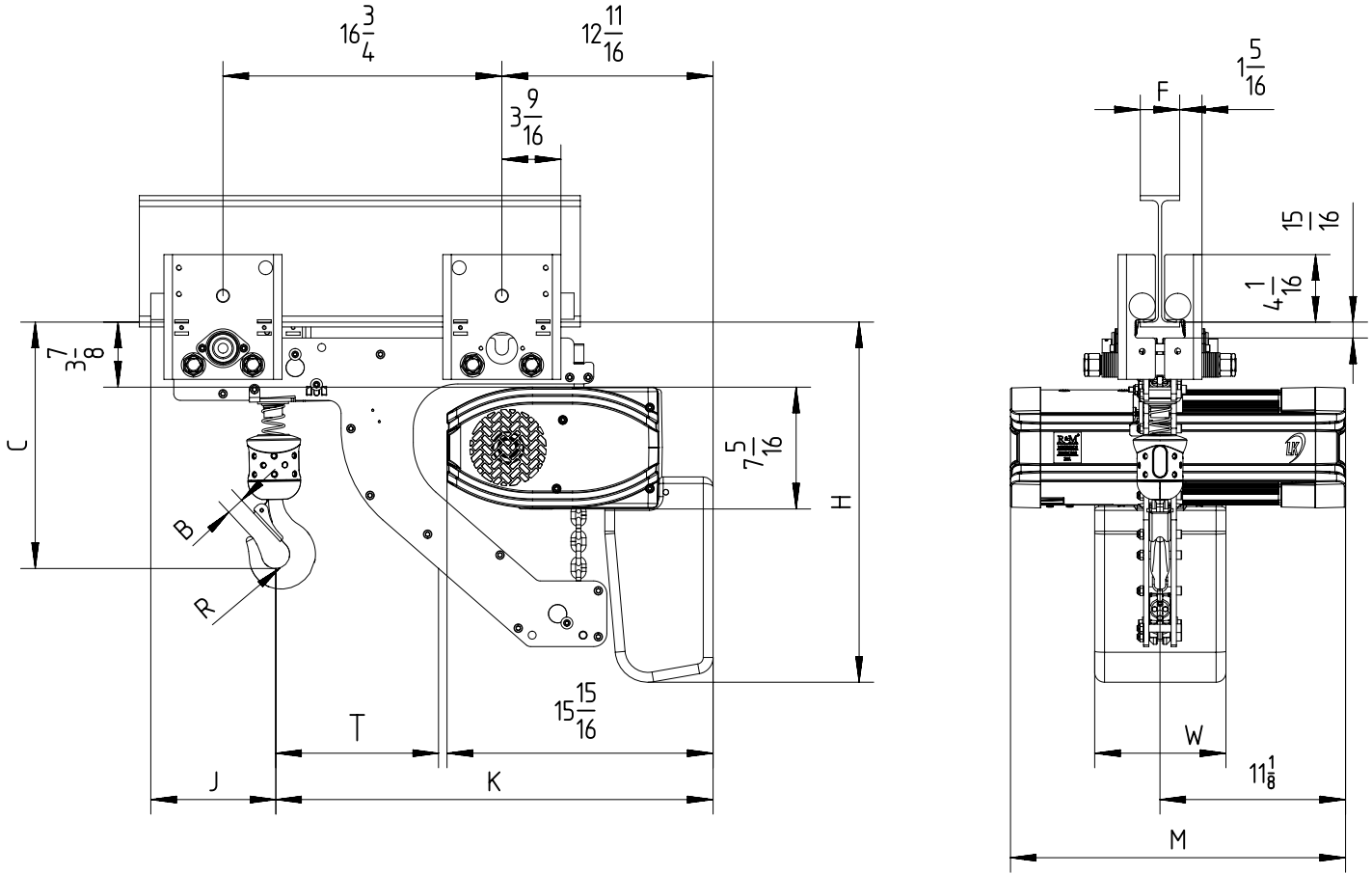


Push trolley max 2 TON (perpendicular version)



$$2\frac{11}{16} < F < 12\frac{3}{16}$$

Chain Size (mm)	Max load (TON)	Falls	Chain bag capacity (ft)	Dimensions (inch)										Weight of chain (lb/ft)	Estimated weight of hoist incl. trolley w/o chain (lb)		
				B	C	T	R	J	K	H	W	M			LK	GLS	DB
												LK	DB/GLS				
7X20	1	1	19	1	14 $\frac{3}{4}$	9 $\frac{3}{4}$	7 $\frac{7}{8}$	7 $\frac{1}{2}$	26 $\frac{1}{4}$	21 $\frac{5}{8}$	7 $\frac{7}{8}$	20 $\frac{1}{16}$	25 $\frac{1}{4}$	0.75	163	167	183
			52							27 $\frac{1}{8}$							
			98							29 $\frac{7}{8}$							
	2	2	19 (*)	1 $\frac{1}{4}$	17 $\frac{1}{2}$	11 $\frac{5}{8}$	15 $\frac{5}{16}$	8 $\frac{3}{5}$	25	21 $\frac{5}{8}$	7 $\frac{7}{8}$	20 $\frac{1}{16}$	25 $\frac{1}{4}$	0.75	172	176	192
			52 (*)							27 $\frac{1}{8}$							
			98 (*)							29 $\frac{7}{8}$							

GLS: Gear Limit Switch
DB : Double Brake

(*) In case of 2-fall hoist, available lifting height is half of the chain bag maximum capacity