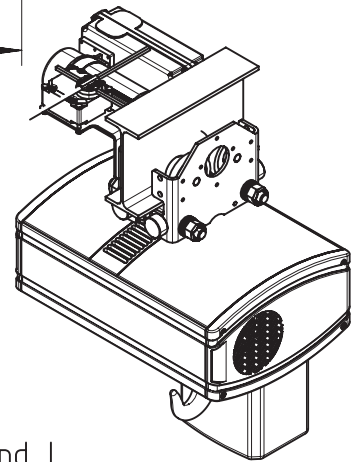
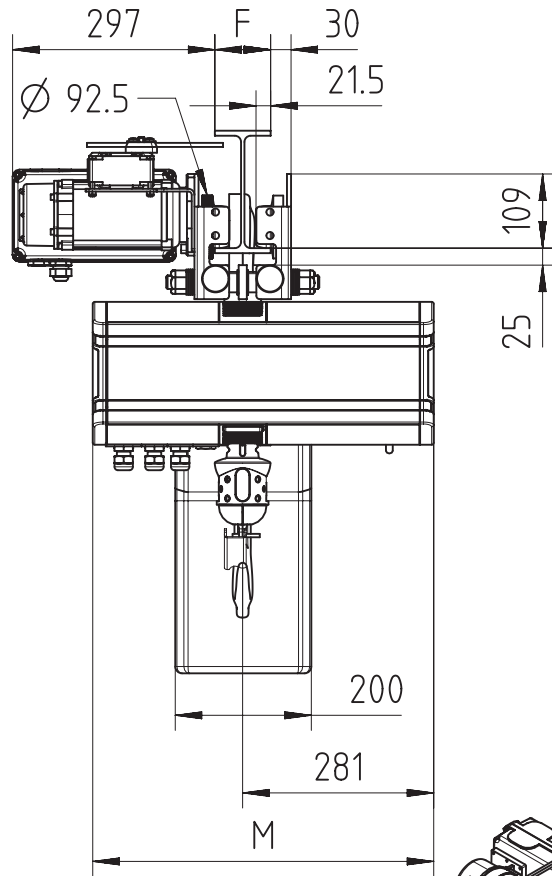
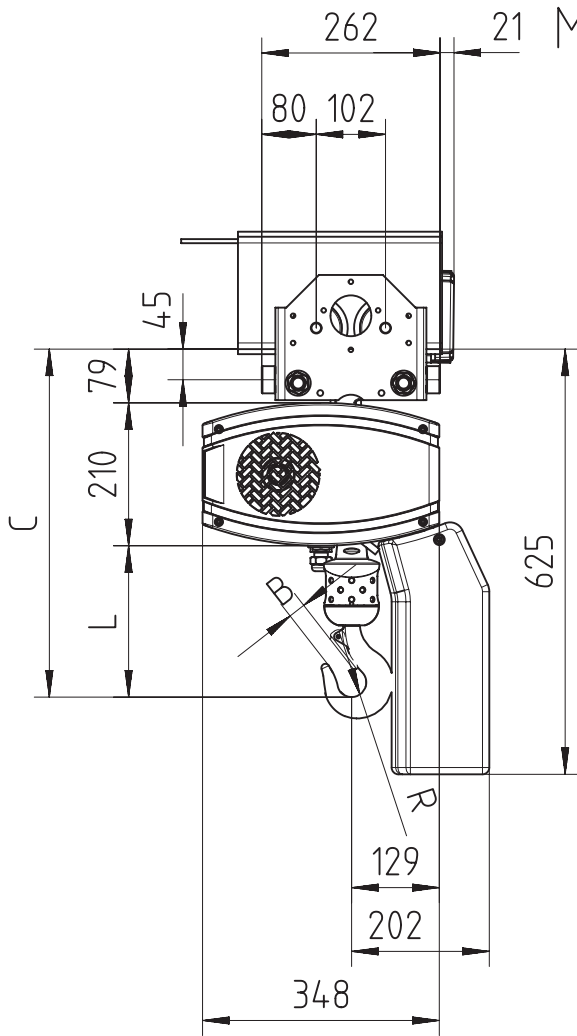




Fixed to two-speed travel trolley TMU1 - 1 Fall (perpendicular version)



$$55 < F < 310$$

Note: For hoisting speed 16 m/min and higher, add 63 mm to dimension C and L.

Chain Size	Max load kg	Chain bag capacity m	Dimensions in mm				Weight per meter of chain Kg/m	Estimated Unit weight w/o chain Kg			
			B	C	L	R		LK	LK Inverter	GLS	DB
7X20	1000	10	28	512	223	21	1.10	72	77.6	76.5	74.8
Dimension M in mm								501	615	590	539

GLS: Gear Limit Switch  
DB : Double Brake