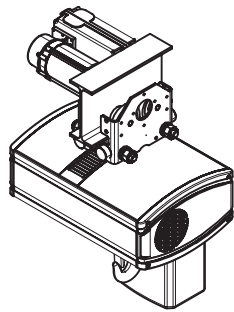
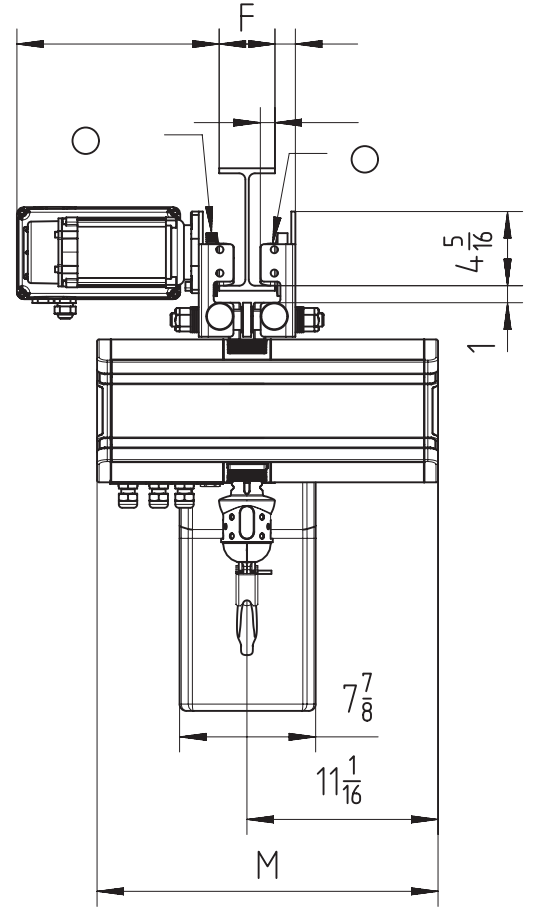
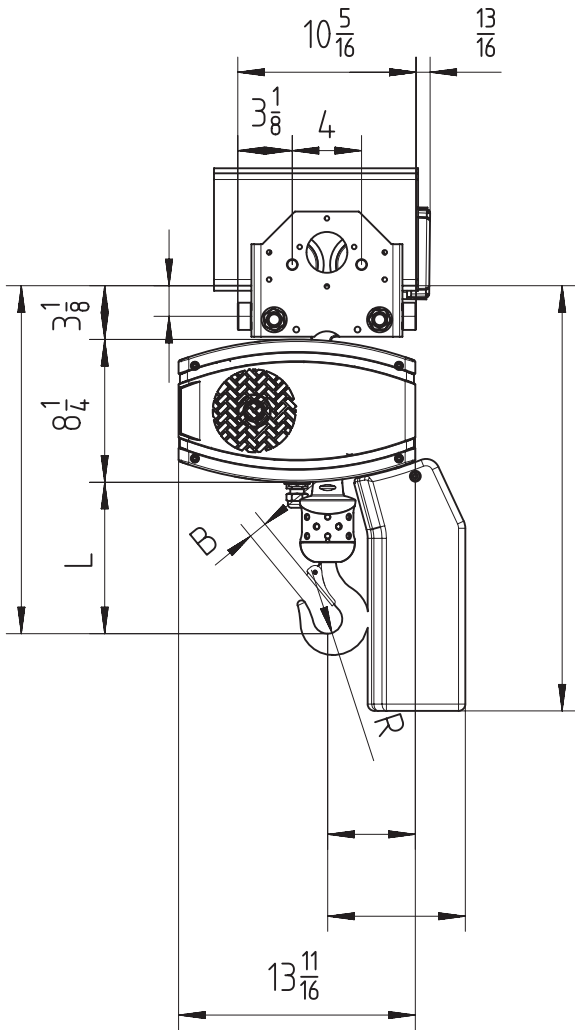


Fixed to two-speed travel trolley TMU1 - 1 Fall (perpendicular version)



Note: For hoisting speed 63 ft/min and higher, add

Chain Size	Max load Ton	Chain bag capacity ft	Dimensions in inches				Chain weight per foot lb/ft	Estimated Unit weight w/o chain lb			
			B	C	L	R		LK	LK Inverter	GLS	DB
7x20	1	32.8	1 1/8	20 3/16	8 3/4	13/16	0.75	158.7	171.1	168.7	164.9
Dimension M in inches								19 3/4	24 3/16	23 1/4	21 1/4

GLS: Gear Limit Switch
DB : Double Brake